



# *PUREPRO*

**DRINKING WATER SYSTEM**

## **WATER PURIFICATION PRODUCTS**

purepro products you can always count on number one source for quality filters & components

[www.pure-pro.com](http://www.pure-pro.com)

MEMBER





## INTRODUCTION



---

### About Us

PurePro Water Corporation was established to supply high quality water treatment systems and accessories.

We are specialized in manufacturing a variety of standard and customized Reverse Osmosis (RO) and water purification systems. Our systems are designed for residential and light commercial use. (Private label is welcome.)

We pride ourselves on service and provide our customers with the quality and durability of our products at competitive prices. We also, stock a full line of Reverse Osmosis and Water Treatment components for immediate delivery. Some of them are:

Pumps, Replacement Filter Cartridges (Standard, Slim Line and Big Blue), Membrane Elements, Membrane Housings, Filter Housings (Standard, Slim Line and Big Blue), Storage Tanks, Fittings, Flow Restrictors, Faucets, Shut-Off Valves, Tubing, Meter and Time Clock Valves, Resin and Brine Tanks, Media and Resin, UV Lights, Shower Filters, Water Testing Equipment, and many more items.

At PurePro Water Corp. our mission is to provide the highest quality of service and products in the water treatment industry. Therefore, through our commitment, our customers can be assured that their future filter requirements will be met with state-of-the-art solutions.

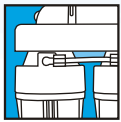
We hope that the few minutes you invested of your time to browse through our website, provided you with the information, comfort level, and guide to any long-term water solution needs that you may have.

Thank you!

Pure-Pro Water Corporation

**PUREPRO**  
DRINKING WATER SYSTEM

## C • O • N • T • E • N • T • S



### RO SYSTEMS

Economy RO	【4】
Typical RO	【6】
Pump RO	【6】
RO + UV System	【8-10】
S-Series	【10】
Easy-Change RO	【12】
Standard RO	【14】
ROYAL RO	【16】
Water Filtration System	【18】
Countertop System	【20】
G Series RO	【22】
Aquarium RO	【22】
Office RO	【24】
Direct Flow RO	【26】
Commercial RO	【26】
Industrial RO	【28-30】
RO Kit	【32-35】



### UV

UV Sterilizer	【36】
---------------	------



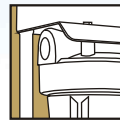
### WATER SOFTENER

Water Softener	【31】
----------------	------



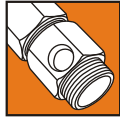
### FILTERS

Sediment Filter	【37】
Inline Filter	【38】
Carbon Filter	【40】
RO Membrane	【54】



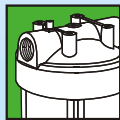
### WHOLE HOUSE

Jumbo Filter	【59】
Whole House Filter	【60】
Countertop Water Filter	【60】



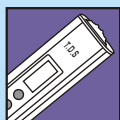
### RO COMPONENTS

JACO	【41】
Quick Fitting	【42】
Ball Valve, Tank Valve	【43】
Mounting Clip	【43】
Housing Wrench	【44】
Pressure Switch	【44】
Auto Shut-Off Valve	【44】
Flow Restrictor	【44】
Pressure Reducer Valve	【45】
Leakage Detector	【45】
Solenoid Valve	【45】
Self Piercing Valve	【45】
Feed Water Connector	【45-46】
Deliver Valve	【46】
Micro Computer Controller	【46】
Booster Pump	【47】
Bracket	【47-48】
Water Storage Tank	【49】
Faucet	【50-53】



### HOUSING

Membrane Housing	【54】
Stainless Steel Pressure Vessel	【54】
Filter Housing	【58】



### WATER TESTER

Water Tester	【62】
--------------	------

# RO SYSTEM

## ::ECONOMY RO

### EC105 / Economy Type RO System



EC105
System: 37 x 45 x 20 (cm)
Tank: 28 x 28 x 35 (cm)
Weight: 12 kgs
Membrane: TFC-50 GPD
Faucet: #108
Tank: 3.2G NSF Tank

※ The system includes a standard set of component parts.

### EC105P / Economy Type RO System



EC105P
System: 37 x 45 x 20 (cm)
Tank: 28 x 28 x 35 (cm)
Weight: 16 kgs
Membrane: TFC-50 GPD
Faucet: #108
Tank: 3.2G NSF Tank

※ The system includes a standard set of component parts.

### EC106M / New 6 Stages with Mineral Filter



EC106M
System: 37 x 48 x 20 (cm)
Tank: 28 x 28 x 35 (cm)
Weight: 13 kgs
Membrane: TFC-50 GPD
Faucet: #108
Tank: 3.2G NSF Tank

※ The system includes a standard set of component parts.

### EC106M-P / New 6 Stages with Mineral Filter



EC106M-P
System: 37 x 48 x 20 (cm)
Tank: 28 x 28 x 35 (cm)
Weight: 16 kgs
Membrane: TFC-50 GPD
Faucet: #108
Tank: 3.2G NSF Tank

※ The system includes a standard set of component parts.

### EC106R / New 6 Stages with Infra-Red Filter



EC106R
System: 37 x 48 x 20 (cm)
Tank: 28 x 28 x 35 (cm)
Weight: 13 kgs
Membrane: TFC-50 GPD
Faucet: #108
Tank: 3.2G NSF Tank

※ The system includes a standard set of component parts.

### EC106R-P / New 6 Stages with Infra-Red Filter



EC106R-P
System: 37 x 48 x 20 (cm)
Tank: 28 x 28 x 35 (cm)
Weight: 16 kgs
Membrane: TFC-50 GPD
Faucet: #108
Tank: 3.2G NSF Tank

※ The system includes a standard set of component parts.

### EC106-DI / New 6 Stages with Deionization (DI) Filter



EC106-DI
System: 37 x 48 x 20 (cm)
Tank: 28 x 28 x 35 (cm)
Weight: 13 kgs
Membrane: TFC-50 GPD
Faucet: #108
Tank: 3.2G NSF Tank

※ The system includes a standard set of component parts.

### EC106-PH / New 6 Stages with Alkaline Filter



EC106-PH
System: 37 x 48 x 20 (cm)
Tank: 28 x 28 x 35 (cm)
Weight: 13 kgs
Membrane: TFC-50 GPD
Faucet: #108
Tank: 3.2G NSF Tank

※ The system includes a standard set of component parts.

# Quality Water for Quality Life

Better water, clean refreshing taste

EC SERIES provides safe, pure water using reverse osmosis technology.



## EC SERIES

You get quality & performance at prices that will surprise you!

The response of EC SERIES has been incredibly successful. Why pay more? Buy from the source and save money!



**EC105P**

5 stage with booster pump

**EC105P-UV**

6 stage with UV & booster pump

**EC106M-P**

6 stage with mineral filter & booster pump

PurePro Reverse Osmosis

# RO SYSTEM

## :: TYPICAL RO

### RO105 / 5 Stage RO Water System



RO105
System: 37 x 45 x 20 (cm)
Tank: 28 x 28 x 35 (cm)
Weight: 12 kgs
Membrane: TFC-80 GPD
Faucet: #101
Tank: 3.2G NSF Tank

※ The system includes a standard set of component parts.

### RO101 / Standard Type RO Water System



RO101
System: 47 x 42 x 20 (cm)
Tank: 28 x 28 x 35 (cm)
Weight: 16 kgs
Membrane: TFC-80 GPD
Faucet: #101
Tank: 3.2G NSF Tank

※ The system includes a standard set of component parts.

### RO105UV / 5 Stage RO Water System with UV



RO105UV
System: 37 x 48 x 20 (cm)
Tank: 28 x 28 x 35 (cm)
Weight: 13 kgs
Membrane: TFC-80 GPD
Faucet: #101
Tank: 3.2G NSF Tank

※ The system includes a standard set of component parts.

### RO102 / Manual Flushing Membrane System



RO102
System: 47 x 42 x 20 (cm)
Tank: 28 x 28 x 35 (cm)
Weight: 16 kgs
Membrane: TFC-80 GPD
Faucet: #101
Tank: 3.2G NSF Tank

※ The system includes a standard set of component parts.

### RO105TDS / Water Quality Monitor



RO105TDS
System: 37 x 42 x 20 (cm)
Tank: 28 x 28 x 35 (cm)
Weight: 12 kgs
Membrane: TFC-80 GPD
Faucet: #101
Tank: 3.2G NSF Tank

※ The system includes a standard set of component parts.

### RO103 / Auto Flushing Membrane System



RO103
System: 47 x 42 x 20 (cm)
Tank: 28 x 28 x 35 (cm)
Weight: 18 kgs
Membrane: TFC-80 GPD
Faucet: #101
Tank: 3.2G NSF Tank

※ The system includes a standard set of component parts.

## :: PUMP RO

### RO101SV / Saving Space RO Water System



RO101SV
System: 37 x 45 x 20 (cm)
Tank: 28 x 28 x 35 (cm)
Weight: 16 kgs
Membrane: TFC-80 GPD
Faucet: #101
Tank: 3.2G NSF Tank

※ The system includes a standard set of component parts.

### RO103TDS / Auto-Flush with TDS Display



RO103TDS
System: 47 x 42 x 20 (cm)
Tank: 28 x 28 x 35 (cm)
Weight: 18 kgs
Membrane: TFC-80 GPD
Faucet: #101
Tank: 3.2G NSF Tank

※ The system includes a standard set of component parts.

# NEW 6 STAGES

with Mineral Filter  
and Booster Pump

Activates water molecules in our body

Improve oxygen level in our body



Mineral Filter

Plus

## EC106M-P

### New 6 Stage with Mineral Filter and Booster Pump

The mineralized water after the mineralized filter has perfectly balanced proportions of minerals necessary for healthy development of the human body.



PurePro Reverse Osmosis

# RO SYSTEM

## :: RO + UV SYSTEM

### EC105-UV / 5 Stage RO Water System with UV



EC105-UV
System: 37 x 45 x 20 (cm)
Tank: 28 x 28 x 35 (cm)
Weight: 13 kgs
Membrane: TFC-50 GPD
Faucet: #108
Tank: 3.2G NSF Tank

※ The system includes a standard set of component parts.

## :: UV SYSTEM

### 3 Stage UV Filtration System



UV301
System: 37 x 45 x 20 (cm)
Weight: 6 kgs
UV Sterilizer: 1 GPM
Faucet: #108

※ The system includes a standard set of component parts.

### EC106-MUV / 6 Stage RO Water System with UV



EC106-MUV
System: 37 x 482 x 20 (cm)
Tank: 28 x 28 x 35 (cm)
Weight: 14 kgs
Membrane: TFC-50 GPD
Faucet: #108
Tank: 3.2G NSF Tank

※ The system includes a standard set of component parts.

### 4 Stage UV Filtration System



UV401
System: 37 x 45 x 20 (cm)
Weight: 6.5 kgs
UV Sterilizer: 1 GPM
Faucet: #108

※ The system includes a standard set of component parts.

### RO101SV-UV / 5 Stage RO Water System with UV



RO101SV-UV
System: 37 x 48 x 20 (cm)
Tank: 28 x 28 x 35 (cm)
Weight: 17 kgs
Membrane: TFC-80 GPD
Faucet: #101
Tank: 3.2G NSF Tank

※ The system includes a standard set of component parts.

### 5 Stage UV Filtration System with Infra-Red Filter



UV501-R
System: 37 x 45 x 20 (cm)
Weight: 8 kgs
UV Sterilizer: 1 GPM
Faucet: #108

※ The system includes a standard set of component parts.

### RO103TDS-UV / 5 Stage RO Water System with UV



RO103TDS-UV
System: 47 x 42 x 20 (cm)
Tank: 28 x 28 x 35 (cm)
Weight: 19 kgs
Membrane: TFC-80 GPD
Faucet: #101
Tank: 3.2G NSF Tank

※ The system includes a standard set of component parts.

### 5 Stage UV Filtration System with Mineral Filter



UV501-M
System: 37 x 45 x 20 (cm)
Weight: 8 kgs
UV Sterilizer: 1 GPM
Faucet: #108

※ The system includes a standard set of component parts.





**M800P-MA (with booster pump)  
New 7 Stage with Mineral Filter  
& Alkaline Filter**

The world's most elegant reverse osmosis water systems are also the world's most attractive water systems. The clean lines and graceful contours of the bright white cabinet make it the most attractive reverse osmosis water system available.



**Mineral Filter**

The mineralized water after the mineralized filter has perfectly balanced proportions of minerals necessary for healthy development of the human body.



**Alkaline Filter**

The only filtration in the world today that will reduce acidity in the body and it will produce natural calcium, magnesium, sodium and potassium ions that can be absorbed 100% in the human body.



Enjoy  
**Great  
Tasting  
Water**



Your clear choice in drinking water systems

# RO SYSTEM

## ::RO + UV SYSTEM

### M800-MUV / 6 Stage RO Water System with UV



M800-MUV
System: 29 x 41 x 25 (cm)
Tank: 28 x 28 x 35 (cm)
Weight: 11.5kgs
Membrane: TFC-50 GPD
Faucet: #108
Tank: 3.2G NSF Tank

※ The system includes a standard set of component parts.

## ::S-SERIES

### S800 / The World's Most Elegant RO with Quick-Change Cartridge



S800
System: 47 x 40 x 27 (cm)
Weight: 11.5kgs
Membrane: TFC-50 GPD
Faucet: #108
Tank: 2.2G NSF Tank

※ The system includes a standard set of component parts.

### S500-UV / 5 Stage RO Water System with UV



S500-UV
System: 27 x 39.8 x 22.5 (cm)
Tank: 28 x 28 x 35 (cm)
Weight: 9.5 kgs
Membrane: TFC-50 GPD
Faucet: #108
Tank: 3.2G NSF Tank

※ The system includes a standard set of component parts.

### S500 / Quick-Change Cartridges RO units



S500
System: 27 x 39.8 x 22.5 (cm)
Tank: 28 x 28 x 35 (cm)
Weight: 8.5 kgs
Membrane: TFC-50 GPD
Faucet: #108
Tank: 3.2G NSF Tank

※ The system includes a standard set of component parts.

### S500-MUV / 6 Stage RO Water System with UV



S500-MUV
System: 27 x 39.8 x 22.5 (cm)
Tank: 28 x 28 x 35 (cm)
Weight: 10 kgs
Membrane: TFC-50 GPD
Faucet: #108
Tank: 3.2G NSF Tank

※ The system includes a standard set of component parts.

### S300 / World's Most Attractive Filters



S300 (A, B, C, D)
System: 16 x 31.8 x 19.5 (cm)
Weight: 3.5 kgs
A: Feed Water Connector
B: Faucet #101
C: Countertop Parts Drinking Faucet
D: Water Ionizer Faucet

※ The system includes a standard set of component parts.

### S800-MUV / 6 Stage RO Water System with UV



S800-MUV
System: 47 x 40 x 27 (cm)
Weight: 13 kgs
Membrane: TFC-50 GPD
Faucet: #108
Tank: 2.2G NSF Tank

※ The system includes a standard set of component parts.

# Quality Reliability Support

*It's Better Water Clean  
Refreshing Taste*



## S500

### Drinking Water System

PurePro's new water filter not only looks better, but is also easier to maintain. Use twist and quick-change cartridge design makes filter changes fast and easy with no tools, spills or contamination.

## S800

### Drinking Water System

The world's most elegant reverse osmosis water systems are also the world's most attractive water systems. The clean lines and graceful contours of the bright white cabinet make it the most attractive reverse osmosis water system available.



PurePro Reverse Osmosis

# RO SYSTEM

## ::EASY-CHANGE RO SYSTEM

### EZ-105 / 5-Stage RO System



EZ-105
System: 29 x 42.5 x 21 (cm)
Tank: 28 x 28 x 35 (cm)
Weight: 8 kgs
Membrane: TFC-50 GPD
Faucet: #108
Tank: 3.2G NSF Tank

※ The system includes a standard set of component parts.

### EZ-105P / 5-Stage RO System



EZ-105P
System: 29 x 42.5 x 21 (cm)
Tank: 28 x 28 x 35 (cm)
Weight: 8 kgs
Membrane: TFC-50 GPD
Faucet: #108
Tank: 3.2G NSF Tank

※ The system includes a standard set of component parts.

### EZ-105 Orange Series / 5-Stage RO System



EZ-105 Orange Series
System: 29 x 42.5 x 21 (cm)
Tank: 28 x 28 x 35 (cm)
Weight: 8 kgs
Membrane: TFC-50 GPD
Faucet: #108
Tank: 3.2G NSF Tank

※ The system includes a standard set of component parts.

### EZ-105P Orange Series / 5-Stage RO System



EZ-105 Orange Series
System: 29 x 42.5 x 21 (cm)
Tank: 28 x 28 x 35 (cm)
Weight: 8 kgs
Membrane: TFC-50 GPD
Faucet: #108
Tank: 3.2G NSF Tank

※ The system includes a standard set of component parts.

### EZ-105 Blue Series / 5-Stage RO System



EZ-105 Blue Series
System: 29 x 42.5 x 21 (cm)
Tank: 28 x 28 x 35 (cm)
Weight: 8 kgs
Membrane: TFC-50 GPD
Faucet: #108
Tank: 3.2G NSF Tank

※ The system includes a standard set of component parts.

### EZ-105P Blue Series / 5-Stage RO System



EZ-105 Blue Series
System: 29 x 42.5 x 21 (cm)
Tank: 28 x 28 x 35 (cm)
Weight: 8 kgs
Membrane: TFC-50 GPD
Faucet: #108
Tank: 3.2G NSF Tank

※ The system includes a standard set of component parts.

### EZ-105 Green Series / 5-Stage RO System



EZ-105 Green Series
System: 29 x 42.5 x 21 (cm)
Tank: 28 x 28 x 35 (cm)
Weight: 8 kgs
Membrane: TFC-50 GPD
Faucet: #108
Tank: 3.2G NSF Tank

※ The system includes a standard set of component parts.

### EZ-105P Green Series / 5-Stage RO System



EZ-105 Green Series
System: 29 x 42.5 x 21 (cm)
Tank: 28 x 28 x 35 (cm)
Weight: 8 kgs
Membrane: TFC-50 GPD
Faucet: #108
Tank: 3.2G NSF Tank

※ The system includes a standard set of component parts.



Quick-Change Cartridge

# Simply the **BEST** of the **BEST** !!

Quick-Change RO systems  
are so easy to service !!

## EZ-105P Quick-Change RO System

PurePro<sup>®</sup> Quick-Change RO Systems are designed for consumers that demand the BEST! Change filters with a single 1/4 turn twist! Much quicker than traditional systems!



**BEST  
CHOICE**



PurePro Reverse Osmosis

# RO SYSTEM

## ::STANDARD RO SYSTEM

### QC-105 / 5-Stage RO System



QC-105
System: 37 x 45 x 20 (cm)
Tank: 28 x 28 x 35 (cm)
Weight: 8 kgs
Membrane: TFC-50 GPD
Faucet: #108
Tank: 3.2G NSF Tank

※ The system includes a standard set of component parts.

### QC-105P / 5-Stage RO System



QC-105P
System: 37 x 45 x 20 (cm)
Tank: 28 x 28 x 35 (cm)
Weight: 9 kgs
Membrane: TFC-50 GPD
Faucet: #108
Tank: 3.2G NSF Tank

※ The system includes a standard set of component parts.

### QC-105 Green Series / 5-Stage RO System



QC-105 Green Series
System: 37 x 45 x 20 (cm)
Tank: 28 x 28 x 35 (cm)
Weight: 8 kgs
Membrane: TFC-50 GPD
Faucet: #108
Tank: 3.2G NSF Tank

※ The system includes a standard set of component parts.

### QC-105P Green Series / 5-Stage RO System



QC-105P Green Series
System: 37 x 45 x 20 (cm)
Tank: 28 x 28 x 35 (cm)
Weight: 9 kgs
Membrane: TFC-50 GPD
Faucet: #108
Tank: 3.2G NSF Tank

※ The system includes a standard set of component parts.

### QC-105 Orange Series / 5-Stage RO System



QC-105 Orange Series
System: 37 x 45 x 20 (cm)
Tank: 28 x 28 x 35 (cm)
Weight: 8 kgs
Membrane: TFC-50 GPD
Faucet: #108
Tank: 3.2G NSF Tank

※ The system includes a standard set of component parts.

### QC-105P Orange Series / 5-Stage RO System



QC-105P Orange Series
System: 37 x 45 x 20 (cm)
Tank: 28 x 28 x 35 (cm)
Weight: 9 kgs
Membrane: TFC-50 GPD
Faucet: #108
Tank: 3.2G NSF Tank

※ The system includes a standard set of component parts.

### QC-105 Blue Series / 5-Stage RO System



QC-105 Blue Series
System: 37 x 45 x 20 (cm)
Tank: 28 x 28 x 35 (cm)
Weight: 8 kgs
Membrane: TFC-50 GPD
Faucet: #108
Tank: 3.2G NSF Tank

※ The system includes a standard set of component parts.

### QC-105P Blue Series / 5-Stage RO System



QC-105P Blue Series
System: 37 x 45 x 20 (cm)
Tank: 28 x 28 x 35 (cm)
Weight: 9 kgs
Membrane: TFC-50 GPD
Faucet: #108
Tank: 3.2G NSF Tank

※ The system includes a standard set of component parts.

# Enjoy ultra fresh, clean, great tasting water.

## QC-105P Orange Series

PurePro Reverse Osmosis is recognized as one of the best available technologies for producing best quality drinking water. No other home water treatment system can offer you as much protection and reliability.



### Features:

- \* Standard Cartridges
- \* Advanced Design
- \* Superior Value
- \* RO / NF Membrane



PurePro Reverse Osmosis

# RO SYSTEM

## :: ROYAL RO SYSTEM

### RS-105 / 5-Stage RO System



RS-105
System: 27.5 x 44.5 x 26.5 (cm)
Tank: 28 x 28 x 35 (cm)
Weight: 8 kgs
Membrane: TFC-100 GPD
Faucet: #101
Tank: 3.2G NSF Tank

※ The system includes a standard set of component parts.

### RS-106UV / 6-Stage with Ultraviolet Sterilizer



RS-106UV
System: 27.5 x 44.5 x 26.5 (cm)
Tank: 28 x 28 x 35 (cm)
Weight: 8 kgs
Membrane: TFC-100 GPD
Faucet: #101
Tank: 3.2G NSF Tank

※ The system includes a standard set of component parts.

### RS-106M / 6-Stage with Mineral Filter



RS-106M
System: 27.5 x 44.5 x 26.5 (cm)
Tank: 28 x 28 x 35 (cm)
Weight: 8 kgs
Membrane: TFC-100 GPD
Faucet: #101
Tank: 3.2G NSF Tank

※ The system includes a standard set of component parts.

### RS-103TDS / 5-Stage with TDS Monitor



RS-103TDS
System: 27.5 x 44.5 x 26.5 (cm)
Tank: 28 x 28 x 35 (cm)
Weight: 8 kgs
Membrane: TFC-100 GPD
Faucet: #101
Tank: 3.2G NSF Tank

※ The system includes a standard set of component parts.

### RS-106R / 6-Stage with Far-Infrared Filter



RS-106R
System: 27.5 x 44.5 x 26.5 (cm)
Tank: 28 x 28 x 35 (cm)
Weight: 8 kgs
Membrane: TFC-100 GPD
Faucet: #101
Tank: 3.2G NSF Tank

※ The system includes a standard set of component parts.

### RS-108 (MRA-P) / 8-Stage RO System



RS-108 (MRA-P)
System: 27.5 x 44.5 x 26.5 (cm)
Tank: 28 x 28 x 35 (cm)
Weight: 8 kgs
Membrane: TFC-100 GPD
Faucet: #101
Tank: 3.2G NSF Tank

※ The system includes a standard set of component parts.

### RS-106A / 6-Stage with Alkaline Filter



RS-106A
System: 27.5 x 44.5 x 26.5 (cm)
Tank: 28 x 28 x 35 (cm)
Weight: 8 kgs
Membrane: TFC-100 GPD
Faucet: #101
Tank: 3.2G NSF Tank

※ The system includes a standard set of component parts.

### R8 / 8-Stage RO System



R8
System: 45.5 x 43.2 x 25 (cm)
Weight: 13 kgs
Membrane: TFC-100 GPD
Faucet: #181
Tank: 1.8G NSF Tank

※ The system includes a standard set of component parts.



# Royal Series

Quick-Change Cartridge



## New 8 stage

with Mineral, Alkaline and Infra-Red Filters



Mineral Filter



Far-Infrared



Alkaline Filter

↑↑↑Plus

### RS-108

8 stage with Mineral, Alkaline and Far-Infrared Filter

### 100GPD ROYAL RO system with European Style Faucet

Quick-change cartridge RO system  
The newly designed ROYAL RO system is user friendly with design simplicity in mind. It requires no tools for filter changes. Use twist and quick-change cartridge design makes filter changes fast, clean and easy. This space saving allows maximum use of your under counter space. PurePro® ROYAL RO system uses 100GPD membrane which is powerful, fast and excellent efficiency.



**BEST CHOICE**

# RO SYSTEM

## :: WATER FILTRATION SYSTEM

### RS2000



RS2000  
System: 17 x 33 x 9 (cm)  
Weight: 4.5 kgs  
Faucet: Optional  
※ The system includes a standard set of component parts.

### RS3000-UV



RS3000-UV  
System: 34 x 36 x 9 (cm)  
Weight: 5.5 kgs  
Faucet: Optional  
※ The system includes a standard set of component parts.

### RS3000-M



RS3000-M  
System: 34 x 36 x 9 (cm)  
Weight: 5.5 kgs  
Faucet: Optional  
※ The system includes a standard set of component parts.

### RS4000



RS4000  
System: 33 x 33 x 9 (cm)  
Weight: 6 kgs  
Faucet: Optional  
※ The system includes a standard set of component parts.

### RS3000-A



RS3000-A  
System: 34 x 36 x 9 (cm)  
Weight: 5.5 kgs  
Faucet: Optional  
※ The system includes a standard set of component parts.

### CT2000



CT2000  
System: 17 x 31 x 9 (cm)  
Weight: 3.5 kgs  
※ The system includes a standard set of component parts.

### RS3000-R



RS3000-R  
System: 34 x 36 x 9 (cm)  
Weight: 5.5 kgs  
Faucet: Optional  
※ The system includes a standard set of component parts.

### CT3000



CT3000  
System: 24 x 31 x 9 (cm)  
Weight: 4.5 kgs  
※ The system includes a standard set of component parts.

Easy-Change Cartridge



# Water is Life

Welcome to  
**A New World of Safe,  
Clean Water!**

## PurePro® Water Filtration Systems

You get clean, safe, clear, healthy, great tasting water at every tap in your home. No electricity needed. No wasted water.

- \* Slim Line Design
- \* Designer Faucet
- \* Easy-Change Filter
- \* Sanitary Safe
- \* 100% Factory Tested

RS4000

RS3000



Plus  
**ALKALINE FILTER**  
NATURAL ALKALINE IONIZED WATER!

PurePro Reverse Osmosis

# RO SYSTEM

## ASTROBOY / Countertop Smart RO System



ASTROBOY  
System: 36 x 46 x 25 (cm)  
Weight: 12.5 kgs  
Membrane: TFC-80 GPD  
Tank: 4.5G Portable Tank  
※ The system includes a standard set of component parts.

## JA-503 / Water Ionizer



JA-503  
System: 31.5 x 27.5 x 14 (cm)  
Weight: 3.5 kgs  
Filtration Capacity: 12,000L  
Electrolysis Chamber Area: 450cm<sup>2</sup>  
※ The system includes a standard set of component parts.

## MH943 / Water Distillers



MH943  
System: 20 x 36 x 40 (cm)  
Weight: 3.5 kgs  
Stainless Steel Boiler: 4 Liters  
Storage Bottle : 4 Liters  
※ The system includes a standard set of component parts.

## JA-303 / Water Ionizer



JA-303  
System: 31.5 x 27.5 x 14 (cm)  
Weight: 3.7 kgs  
Filtration Capacity: 12,000L  
Electrolysis Chamber Area: 450cm<sup>2</sup>  
※ The system includes a standard set of component parts.

## S3 / Water Distillers



S3  
System: 20 x 36 x 40 (cm)  
Weight: 3.5 kgs  
Stainless Steel Boiler: 4 Liters  
Storage Bottle : 4 Liters  
※ The system includes a standard set of component parts.

## JA-703 / Water Ionizer



JA-703  
System: 31.5 x 25.5 x 13.5 (cm)  
Weight: 3.5 kgs  
Filtration Capacity: 12,000L  
Electrolysis Chamber Area: 450cm<sup>2</sup>  
※ The system includes a standard set of component parts.

## JA-103 / Water Ionizer



JA-103  
System: 31.5 x 27.5 x 14 (cm)  
Weight: 3.5 kgs  
Filtration Capacity: 12,000L  
Electrolysis Chamber Area: 450cm<sup>2</sup>  
※ The system includes a standard set of component parts.

## JA-2000 / Water Ionizer



JA-2000  
System: 31 x 22 x 12.5 (cm)  
Weight: 5 kgs  
Filtration Capacity: 12,000L  
Electrolysis Chamber Area: 450cm<sup>2</sup>  
※ The system includes a standard set of component parts.

Water Ionizer



## Quality WATER for Quality LIFE

### Water Ionizer JA-703

Drinking antioxidant water is the most important thing you can do for your health. 7 plates can help you flush excess toxins from your body.



PurePro Reverse Osmosis

# RO SYSTEM

## :: G SERIES RO

### G-106M / New 6 Stage with Mineral Filter



G-106M
System: 36 x 47 x 21(cm)
Tank: 28 x 28 x 35 (cm)
Weight: 10 kgs
Membrane: TFC-50 GPD
Faucet: #108
Tank: 3.2G NSF Tank

※ The system includes a standard set of component parts.

## :: AQUARIUM RO

### FS201 / Mini Aquarium RO System



FS201
System: 30 x 16 x 12(cm)
Weight: 2.8 kgs
Membrane: TFC-50 GPD

※ The system includes a standard set of component parts.

### G-106A / New 6 Stage with Alkaline Filter



G-106A
System: 36 x 47 x 21(cm)
Tank: 28 x 28 x 35 (cm)
Weight: 10 kgs
Membrane: TFC-50 GPD
Faucet: #108
Tank: 3.2G NSF Tank

※ The system includes a standard set of component parts.

### FS301 / Aquarium RO System



FS301
System: 28 x 35 x 15(cm)
Weight: 4.8 kgs
Membrane: TFC-50 GPD

※ The system includes a standard set of component parts.

### G-107MA / 7 Stage with Mineral & Alkaline Filter



G-107MA
System: 36 x 47 x 21 (cm)
Tank: 28 x 28 x 35 (cm)
Weight: 11 kgs
Membrane: TFC-50 GPD
Faucet: #108
Tank: 3.2G NSF Tank

※ The system includes a standard set of component parts.

### FS401 / Aquarium RO System



FS401
System: 37 x 45 x 20 (cm)
Weight: 6.5 kgs
Membrane: TFC-50 GPD

※ The system includes a standard set of component parts.

### G-107RUV / 7 Stage with Infra-Red Filter & UV



G-107RUV
System: 36 x 47 x 21 (cm)
Tank: 28 x 28 x 35 (cm)
Weight: 11 kgs
Membrane: TFC-50 GPD
Faucet: #108
Tank: 3.2G NSF Tank

※ The system includes a standard set of component parts.

### FS401P / Aquarium RO System



FS401P
System: 37 x 45 x 21 (cm)
Weight: 10 kgs
Membrane: TFC-50 GPD

※ The system includes a standard set of component parts.

# Quality Reliability Support

The mineralized water after the mineralized filter has perfectly balanced proportions of minerals necessary for healthy development of the human body. The Alkaline filter changes the acidic RO water into a perfect alkaline water, balanced pH value of 8.0 ~9.5



Mineral Filter

Alkaline Filter

↑↑↑Plus

**G-107MA-P (with booster pump)**  
New 7 Stage with Mineral Filter  
& Alkaline Filter

This revolutionary new PurePro® 7 stage system uses Reverse Osmosis, Mineral Filter and Alkaline Filter to put refreshing, clean water at your fingertips. No other system available anywhere can give you all three kinds of purification in a system that is so simple.



PurePro Reverse Osmosis

# RO SYSTEM

## ::OFFICE RO

### Built-in 4 Stage RO System



CW-929P
System: 42 x 37 x 110 (cm)
Weight: 22.5 kgs
Membrane: TFC-50 GPD
Hot Water Tank: 2.5 Liters
Cold Water Tank: 4 Liters
Room Water Tank: 8 Liters
Filtration Stage: 5

※ The system includes a standard set of component parts.

### Easily Combined with RO Units



ST-BD
System: 41 x 42 x 127 (cm)
Weight: 27.5 kgs
Membrane: TFC-50 GPD
Hot Water Tank: 20 Liters
Cold Water Tank: 4 Liters
Room Water Tank: 10 Liters
Filtration Stage: 5

※ The system includes a standard set of component parts.

### Built-in 4 Stage RO System



Bonnie
System: 33 x 35 x 105 (cm)
Weight: 20 kgs
Cold Water Tank: 4 Liters
Hot Water Tank: 2.5 Liters
Filtration Stage: 4

- Touch switch interface for cold and hot water
- Safety lock for hot water
- Digital display for cold and hot temperature
- Invisible cup dispenser
- Direct chill system
- Leak detector
- Chilling capacity up to 20L perhour
- Heating capacity up to 10L perhour

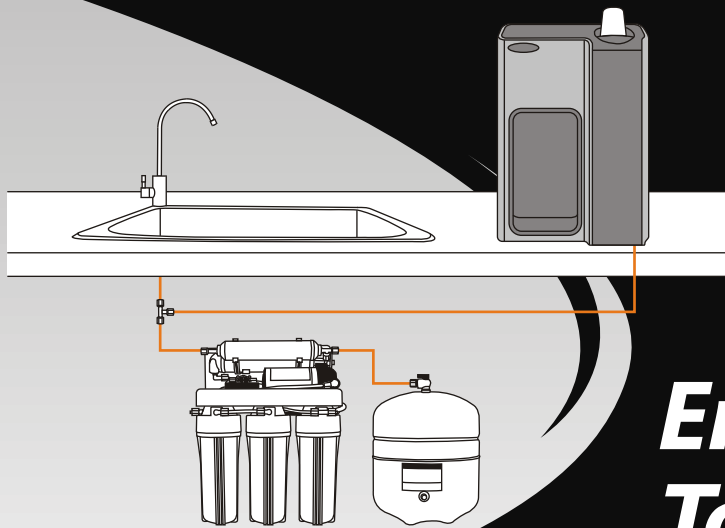
### Countertop Water Cooler (Auto Fill Up)



T1
System: 33 x 35 x 42 (cm)
Instant hot and cold water

Water dispenser, very good combination with undersink RO system (Auto fill up with RO water)





# Enjoy Great Tasting Water

*Convenient, Clean, Plenty of Hot Water.  
Connect to PurePro RS-108 system, Auto-Fill  
with PurePro Mineral Water !*



TOP



FRONT



SIDE



## **PUREPRO TRUE HEALTH® T1**

### **Instant Hot and Cold Pure Water**

- Offering no-stop hot / cold water.
- Autofill with our alkaline mineral water.
- Touch switch interface for hot and cold water
- Safety lock for hot water
- Powerful chilling capacity up to 20 liters per hour
- Ideal for Hot Tea, Baby Milk, Noodle.

# RO SYSTEM

## ::DIRECT FLOW RO

### Super 380-Direct Flow



Super 380-Direct Flow  
System: 38 x 25.5 x 46 (cm)  
Weight: 18 kgs  
Membrane: TFC-200 GPD x 2  
Faucet: #101  
※ The system includes a standard set of component parts.

## ::COMMERCIAL RO

### RO400 / 400GPD Light Commercial RO System



RO400  
System: 50 x 24 x 80 (cm)  
Tank: 40 x 40 x 58 (cm)  
Weigh(System & Tank): 45 kgs  
Membrane: TFC-200 GPD x 2  
Faucet: #108  
Tank: 11G NSF Tank  
※ The system includes a standard set of component parts.

### M800-Direct Flow



M800-Direct Flow  
System: 29 x 25 x 41 (cm)  
Weight: 10 kgs  
Membrane: TFC-200 GPD x 2  
Faucet: #101  
※ The system includes a standard set of component parts.

### RO800 / 800GPD Light Commercial RO System



RO800  
System: 50 x 24 x 80 (cm)  
Tank: 56 x 56 x 88 (cm)  
Weight(System & Tank): 60 kgs  
Membrane: TFC-200 GPD x 4  
Faucet: #108  
Tank: 20G NSF Tank  
※ The system includes a standard set of component parts.

### S800-Direct Flow



S800-Direct Flow  
System: 47 x 27 x 40 (cm)  
Weight: 11.5 kgs  
Membrane: TFC-200 GPD x 2  
Faucet: #101  
※ The system includes a standard set of component parts.

### HRO-200 / 200GPD Light Commercial RO System



HRO-200  
System: 38 x 25.5 x 46 (cm)  
Weight: 17 kgs  
Membrane: TFC-200 GPD x 1  
Faucet: #101  
※ The system includes a standard set of component parts.

### HRO-500 / 500GPD Light Commercial RO System



HRO-500  
System: 38 x 25.5 x 46 (cm)  
Weight: 20 kgs  
Membrane: TFC-200 GPD x 3  
Faucet: #101  
※ The system includes a standard set of component parts.

# Truly Pure Water

Direct Flow uniquely combines large capacity and high efficiency with an attractive and compact design to fit all modern homes.

Direct Flow makes efficient use of inlet water.

- Unlimited direct flow of fresh water
- Direct continuous high quality pure water
- Water purifier with high flow rate and no storage tank
- A compact under the counter filtration unit



M800-Direct Flow



S800-Direct Flow



Super 380-Direct Flow

# RO SYSTEM

## ::INDUSTRIAL RO

### RO1500 / 1500GPD Industrial RO System



RO1500  
System: 48 x 60 x 154 (cm)  
Weight: 65 kgs  
Membrane: 4040  
※ The system is fully assembled, with 20" sediment filter x 1.

### RO3000 / 3000GPD Industrial RO System



RO3000  
System: 48 x 60 x 154 (cm)  
Weight: 100 kgs  
Membrane: 4040 x 2  
※ The system is fully assembled, with 20" sediment filter x 2.

### RO4500 / 4500GPD Industrial RO System



RO4500  
System: 48 x 60 x 154 (cm)  
Weight: 120 kgs  
Membrane: 4040 x 3  
※ The system is fully assembled, with 20" sediment filter x 2.

### RO6000 / 6000GPD Industrial RO System



RO6000  
System: 55 x 80 x 160 (cm)  
Weight: 150 kgs  
Membrane: 4040 x 4  
※ The system is fully assembled, with 20" sediment filter x 2.

### RO15000 / 15000GPD Industrial RO System

RO15000  
System: 70 x 250 x 155 (cm)  
Weight: 300 kgs  
Membrane: 4040 x 10

※ Please contact PurePro to find out the best combination of your system.





# Industrial RO System

Purification filter  
for laboratory  
and industrial using



RO800-IND



RO1500



RO3000



RO6000

## Whole Home, Commercial and Industrial RO

As people become increasingly aware of the benefits of purified water, the demand for equipment capable of treating both municipal and well water supplies continues to grow. As a result, Whole House and Commercial Reverse Osmosis systems are becoming widely accepted. We carry a wide variety of RO systems, one of which will fit your application and your budget.

# RO SYSTEM



## RO24000 / 24000GPD Industrial RO System

RO24000

System: 70 x 250 x 155 (cm)

Weight: 350 kgs

Membrane: 8040 x 4

※ Please contact PurePro to find out the best combination of your system.

### Specification

Part Number	RO1500	RO3000	RO4500	RO6000	RO12000	RO15000	RO24000
Capacity	1500 GPD	3000 GPD	4500 GPD	6000 GPD	12000 GPD	15000 GPD	24000 GPD
Working Pressure	150-250 PSI						
Booster Pump	0.75KW(1HP) PROCON 2507	2.2KW(2HP) Vertical Type Multistage Booster Pump	2.5KW(2HP) Vertical Type Multistage Booster Pump	2.8KW(4HP) Vertical Type Multistage Booster Pump	3.2KW(4HP) Vertical Type Multistage Booster Pump	3.2KW(4HP) Vertical Type Multistage Booster Pump	3.5KW(5.5HP) Vertical Type Multistage Booster Pump
Membrane Material	T.F.C with FRP outer wrap						
Membrane Size x Unit	4040 x 1	4040 x 2	4040 x 3	4040 x 4	4040 x 8	4040 x 10	8040 x 4
Membrane Housing Material	304 stainless steel with caps						
Membrane Housing	4040 x 1	4040 x 2	4040 x 3	4040 x 4	4080 x 4	4080 x 5	8080 x 2
Flow Meters	Purewater / Wastewater						
Pressure Gauges	Feed water pressure / Booster pump outlet pressure gauges						
Water quality indicator	TDS meter with LCD						
Electrical Controls	Micro-computer control, overload breakers, LED indicators						
Frames Parts	Stainless steel main frame						
Dimensions LxWxH(mm)	480 x 600 x 1540		550 x 800 x 1600		700 x 2550 x 1550		
Weight	≈ 65kg	≈ 100kg	≈ 120kg	≈ 150kg	≈ 300kg	≈ 300kg	≈ 350kg
Optional Components	Work Flow Process Control Panel						
Pre-Filtration	2 x 20" Filter Housing (20" PP Cartridges 5u + UDF)				TK207 ( 20" PP Cartridges 5u x 7 )		
※ Feed Water Requirements:							
Feed Water Pressure > 40PSI		Feed Water Temp. : 20~45°C			Feed Water TDS < 1000PPM		
SDI < 3		turbidity < 1 NTU			iron < 0.1PPM		
PH : 3~11		oxidizer < 0 PPM			hardness < 5PPM		

# WATER SOFTENER

## PurePro whole house filters for Iron and Manganese reduction.

Iron is one of the most common elements found in nature, and most ground waters contain a measurable amount of iron. Iron stains bathtubs, toilets, sinks, driveways and it will even stain the side of your house in sufficient concentrations. Watts offers two media types to remove Iron in point-of-entry applications.

### Two media types

#### FILOX™

A non-chemical oxidizing media to reduce Iron.

#### Greensand-Plus™

An enhanced version of the traditional medium to remove Iron from water.

#### Filox™ system advantages

- Highest flow rate of any Iron removal media.
- No oxidizing chemicals needed for regeneration.
- High efficiency with 80% Manganese dioxide for enhanced performance and capacity.
- Effective, from 5.0 to 9.0 pH.
- System is easy to program, with 10 pre-programmed regeneration cycles to optimize water treatment.

#### Greensand-Plus™ system advantage

- Lower backwash requirements.
- Known saturation capacity.
- Higher temperatures and differential pressures than traditional Manganese Greensand.
- Greensand-Plus is also used for radium reduction.
- User friendly, low maintenance electronic time clock valve.



#### Note:

The use of chemicals and oxidizers, such as chlorine, potassium permanganate and oxygen may be required for both systems to provide the optimal treatment for Iron, Hydrogen Sulfide and Manganese.

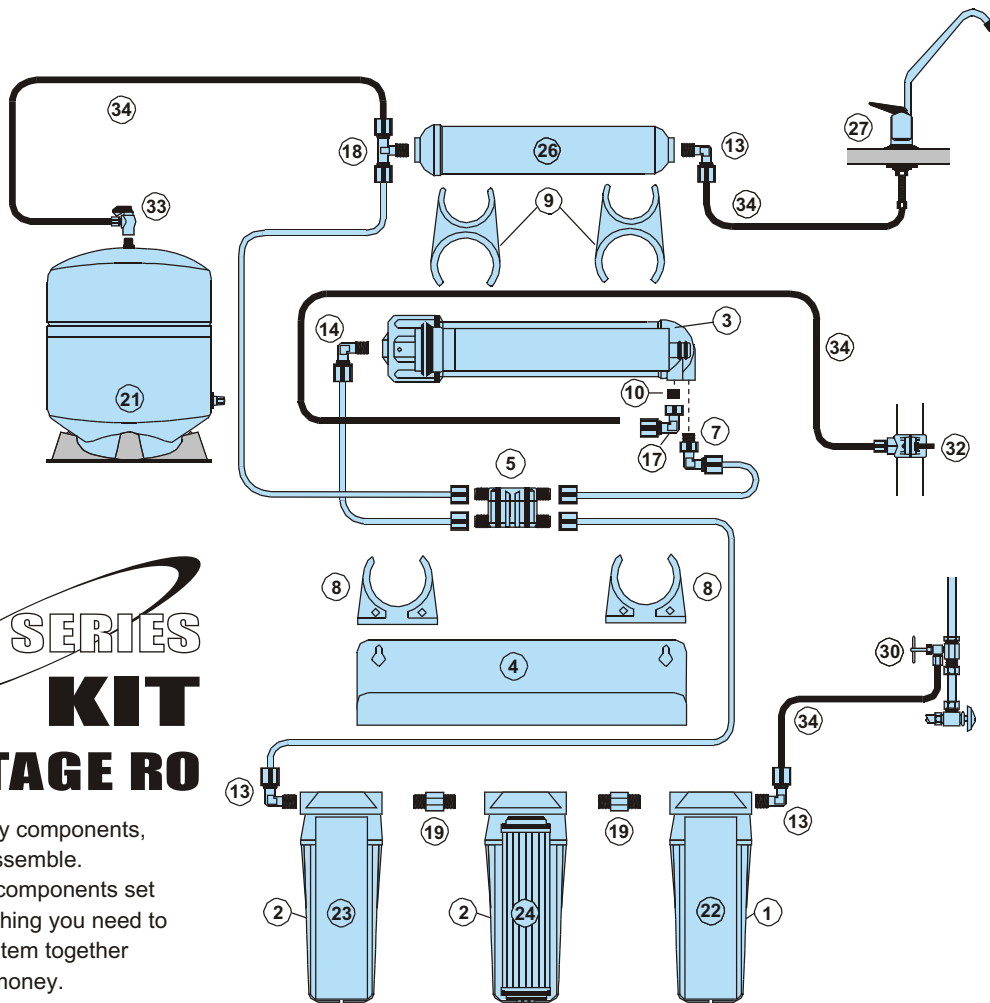
### Specification

Part Number	Volume	Flow Rate	Turbidity	Controller	Thread	Dimension
YS-1035	30 Liters	27 GPM	NTU < 5	Timer	1"	10" x 35"
YS-1054	50 Liters	27 GPM	NTU < 5	Timer	1"	10" x 54"
YS-1354	80 Liters	27 GPM	NTU < 10	Timer	1"	13" x 54"
YS-1465	100 Liters	27 GPM	NTU < 10	Timer	1"	14" x 65"
YS-1665	120 Liters	27-50 GPM	NTU < 10	Timer	1"-1&1/2"	16" x 65"

# RO KIT

## ERO SERIES KIT 5 STAGE RO

High quality components,  
ready to assemble.  
Complete components set  
with everything you need to  
put the system together  
and save money.



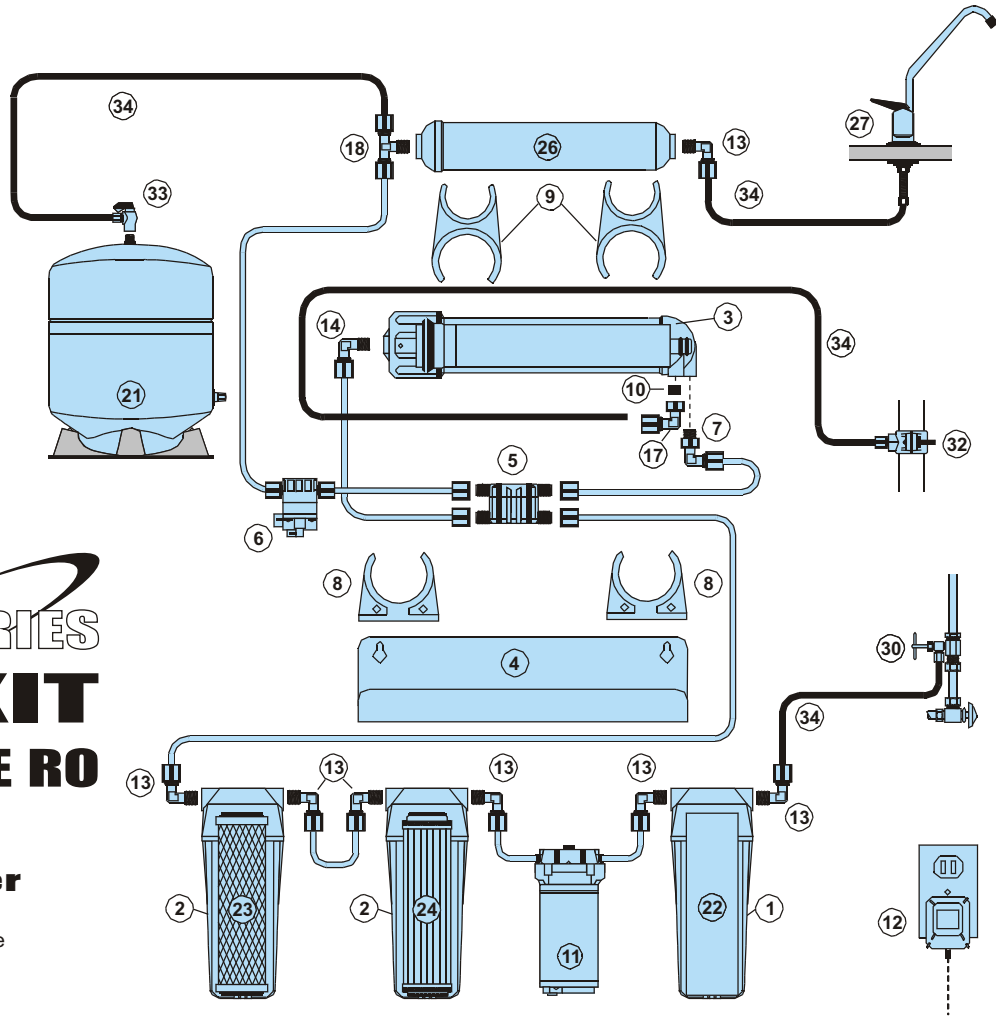
## EC105 KIT (5 STAGE RO)

NO.	PART#	DESCRIPTION	QTY.	NO.	PART#	DESCRIPTION	QTY.
1	11011	10" housing 1/4"NPT Clear	1	21	02001	Water storage tank 3.2G Steel Made	1
2	11012	10" housing 1/4"NPT White / Opaque	2	22	03001	5 micron 10" spun sediment filter	1
3	11031	Membrane Housing White 1812	1	23	03002	1 micron 10" spun sediment filter	1
4	12001	Housing Bracket White	1	24	04008	10" activated carbon filter	1
5	08015	Auto Shut-Off Valve	1	25	05004	TFC type membrane 50GPD Made in USA	1
7	08017	Check Valve, Stainless Steel	1	26	04007	Post Carbon Filter	1
8	08006	Single Clip	2	27	108	Brass Type Faucet	1
9	08007	Double Clip	2	28	08037	1/2" Feed Water Connector (optional)	0
10	08023	Mini Flow Restrictor	1	29	08040	1/4" deliver valve (optional)	0
13	06021	4044 Jaco	3	30	08039	Needle Valve	1
14	06020	4042 Jaco	2	31	08032	Housing Wrench , Full Circle	1
18	06038	7544 Jaco	1	32	08027	Drain Water connector	1
19	06001	1042 Jaco	2	33	08001	Tank ball valve 90 degree 1/4"NPT	1
20	06041	Fitting nut	7	34	13001	Color Tubing (White, Black, Blue, Red )	1



**ERO SERIES  
KIT  
5 STAGE RO**

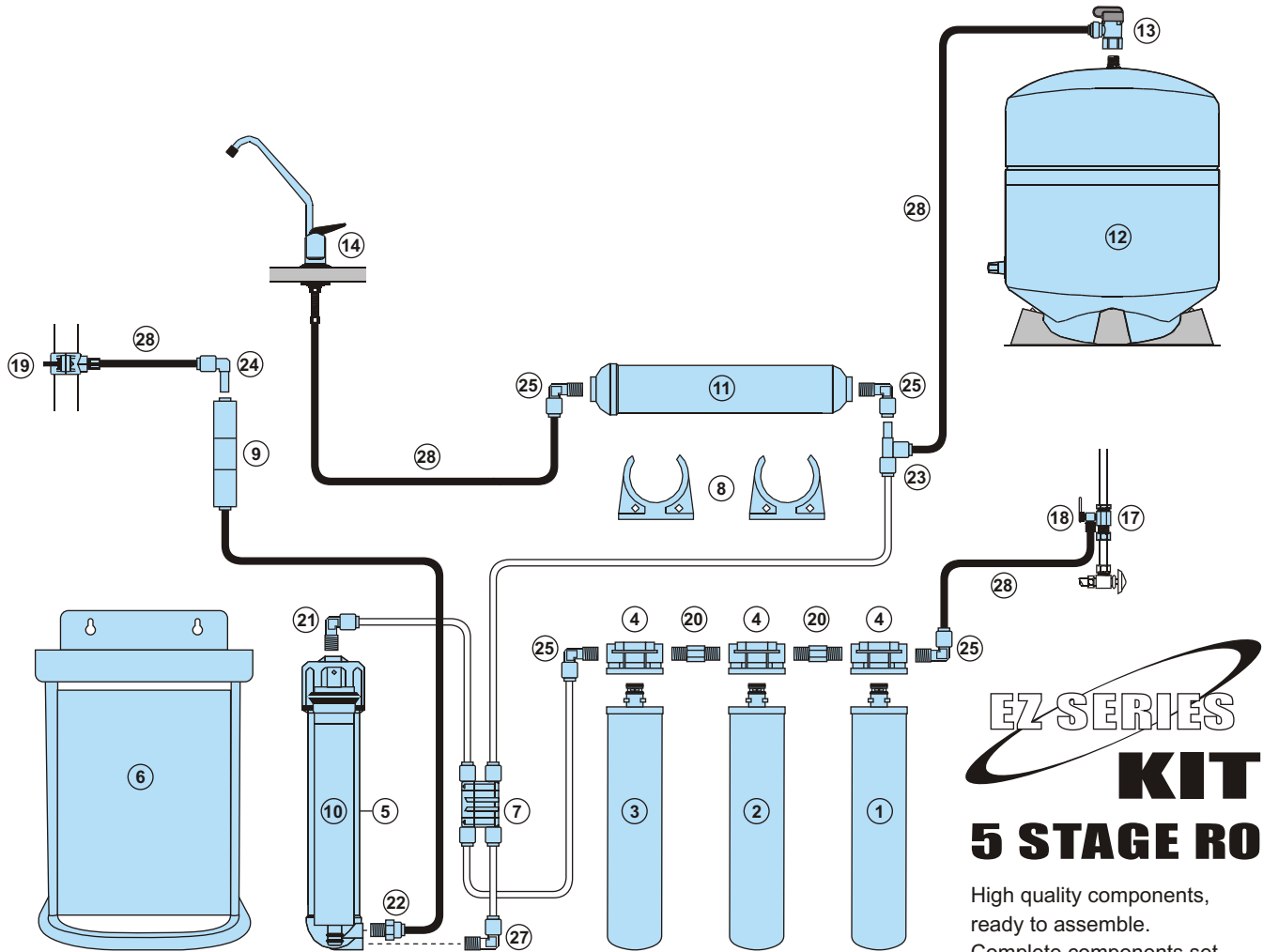
**Booster  
Pump**  
Low Pressure



**EC105P KIT (5 STAGE RO / BOOSTER PUMP)**

NO.	PART#	DESCRIPTION	QTY.	NO.	PART#	DESCRIPTION	QTY.
1	11011	10" housing 1/4"NPT Clear	1	18	06038	7544 Jaco	1
2	11012	10" housing 1/4"NPT White / Opaque	2	19	06001	1042 Jaco	1
3	11031	Membrane Housing White 1812	1	20	06041	Fitting nut	16
4	12001	Housing Bracket White	1	21	02001	Water storage tank 3.2G Steel Made	1
5	08015	Auto Shut-Off Valve	1	22	03001	5 micron 10" spun sediment filter	1
6	08009	Tank Shut-of Switch	1	23	04010	Block carbon filter	1
7	08017	Check Valve, Stainless Steel	1	24	04008	10" activated carbon filter	1
8	08006	Single Clip	2	25	05004	TFC type membrane 50GPD Made in USA	1
9	08007	Double Clip	2	26	04007	Post Carbon Filter	1
10	08023	Mini Flow Restrictor	1	27	108	Brass Type Faucet	1
11	10011	Booster Pump	1	28	08037	1/2" Feed Water Connector (optional)	0
12	10003	Pump Transformer	1	29	08040	1/4" deliver valve (optional)	0
13	06021	4044 Jaco	7	30	08039	Needle Valve	1
14	06020	4042 Jaco	2	31	08032	Housing Wrench , Full Circle	1
15	06002	1044 Jaco	2	32	08027	Drain Water connector	1
16	06022	4046 Jaco	2	33	08001	Tank ball valve 90 degree 1/4"NPT	1
17	06027	4542 Jaco	1	34	13001	Color Tubing (White, Black, Blue, Red )	1

# RO KIT

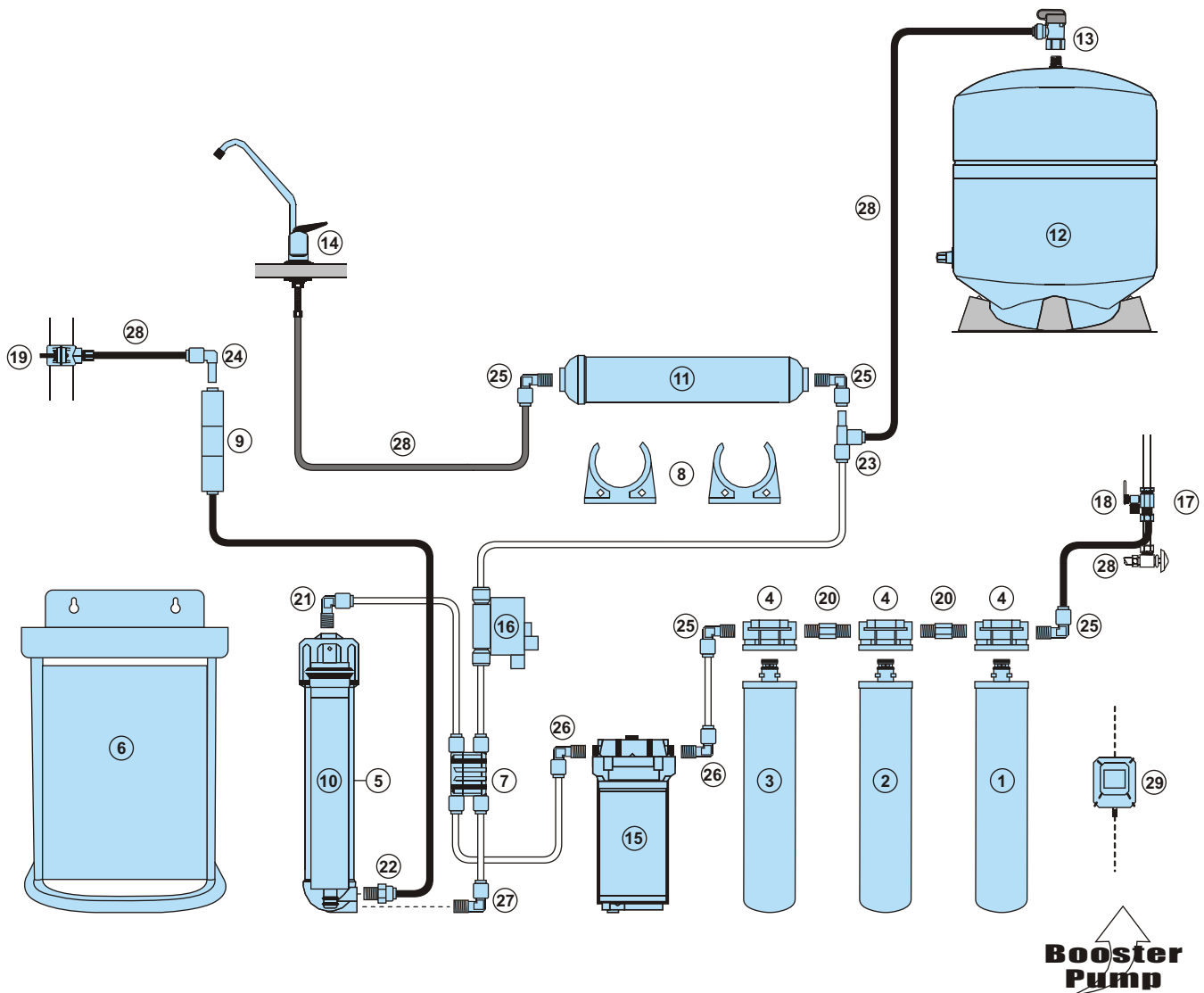


## EZ SERIES KIT 5 STAGE RO

High quality components,  
ready to assemble.  
Complete components set  
with everything you need to  
put the system together  
and save money.

### EZ-105 KIT (5 STAGE RO)

NO.	PART#	DESCRIPTION	QTY.	NO.	PART#	DESCRIPTION	QTY.
1	RS300ST	5 micron sediment filter (1 Stage)	1	16	08009-1	Tank shut-of switch for quick fittings	0
2	RS300ND	Granular activated carbon (2 Stage)	1	17	08037	1/2" Feed water connector	1
3	RS300RD	Granular activated carbon (3 Stage)	1	18	08040	1/4" deliver valve	1
4	RS-CAP	RS CAP	3	19	08027	Drain water connector	1
5	11031	Membrane housing white 1812	1	20	06044	Jaco fitting nipple 1/4"	2
6	12018	Bracket for EZ	1	21	ME0402	Quick fitting ME0402	1
7	08016	Auto shut-off valve for quick fittings	1	22	MC0402	Quick fitting MC0402	1
8	08006	Single clip	2	23	SRT0404	Quick fitting SRT0404	1
9	08022	Flow restrictor (Quick fitting connector)	1	24	SE0404	Quick fitting SE0404	1
10	05001	TFC membrane 50GPD	1	25	ME0404	Quick fitting ME0404	4
11	04007	Post carbon filter	1	26	ME0406	Quick fitting ME0406	0
12	02001	Water storage tank 3.2G steel made	1	27	08017-2	Quick fitting check valve	1
13	08001-5	Elbow quick connector	1	28	13001	Color Tubing (White, Black, Blue, Red )	1
14	108	Brass type faucet	1	29	10003	Pump transformer	0
15	10011	Booster pump	0				



## EZ-105P KIT (5 STAGE RO / BOOSTER PUMP)

NO.	PART#	DESCRIPTION	QTY.	NO.	PART#	DESCRIPTION	QTY.
1	RS300ST	5 micron sediment filter (1 Stage)	1	16	08009-1	Tank shut-of switch for quick fittings	1
2	RS300ND	Granular activated carbon (2 Stage)	1	17	08037	1/2" Feed water connector	1
3	RS300RD	Granular activated carbon (3 Stage)	1	18	08040	1/4" deliver valve	1
4	RS-CAP	RS CAP	3	19	08027	Drain water connector	1
5	11031	Membrane housing white 1812	1	20	06044	Jaco fitting nipple 1/4"	2
6	12018	Bracket for EZ	1	21	ME0402	Quick fitting ME0402	1
7	08016	Auto shut-off valve for quick fittings	1	22	MC0402	Quick fitting MC0402	1
8	08006	Single clip	2	23	SRT0404	Quick fitting SRT0404	1
9	08022	Flow restrictor (Quick fitting connector)	1	24	SE0404	Quick fitting SE0404	1
10	05001	TFC membrane 50GPD	1	25	ME0404	Quick fitting ME0404	4
11	04007	Post carbon filter	1	26	ME0406	Quick fitting ME0406	2
12	02001	Water storage tank 3.2G steel made	1	27	08017-2	Quick fitting check valve	1
13	08001-5	Elbow quick connector	1	28	13001	Color Tubing (White, Black, Blue, Red )	1
14	108	Brass type faucet	1	29	10003	Pump transformer	1
15	10011	Booster pump	1				

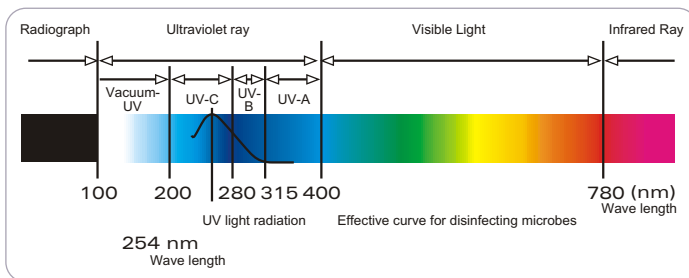
## PUREPRO ULTRAVIOLET WATER STERILIZER

The knack of 1gpm PUREPRO UV system lies in applying the 254nm ultraviolet rays (UV-C) to cause immediate death for organisms or wipe out their ability to survive and reproduce.

### How does the UV work for destroying the bacteria, virus and other micro-organisms

We all know sun light can be used in sterilizing, actually what functioned is Ultraviolet ray only. Ultraviolet was found about 200 years ago and through years of survey and experiment, science has proofed it's effect in killing the virus and bacteria. ultraviolet is divided by A, B, C waves and 240~260nm out of C wave is the most effective ray with sterilizing ability and the strongest point is 253.7nm. The light wave is able to kill the DNA of virus and bacteria and make it unable to reproduce.

### Electromagnetic wave drawing



### Features of Ultraviolet Water Sterilizer :

1. Use high quality hard quartz material lamp and sleeve to keep high output of 253.7nm.
2. Quick and simple installation.
3. Long service life save your money.
4. Visual LED display indicator failure.
5. Polished stainless steel reactor chamber strengthen the UV reflection.
6. The most natural way to protect your water safely.
7. Easy lamp replacement and maintenance.
8. Wide application used in many water treatment areas.
9. Without adding any chemical complexes nor change the taste of odor of the water and does not remove any beneficial minerals in water.
10. Able to kill 99.9% destruction of bacteria and virus under standard water quality and flow.
11. Destroy bacteria and inactive various viruses.



### Specification

Part Number	Flow Rate	Inlet / Outlet	Power	Electronic Ballast	Alarm	UV Lamp	Lamp Watts	Quartz Sleeve	Dimension(mm)
141501	1 GPM	1/4" NPT	120 V, 240 V(50 / 60 Hz)	6W	No	254 nm	6W	Yes	320(L) x 50.5(Dia.)
141502	2 GPM	1/4" NPT	120 V, 240 V(50 / 60 Hz)	16W	No	254 nm	16W	Yes	340(L) x 64(Dia.)
141503	6 GPM	1/2" NPT	120 V, 240 V(50 / 60 Hz)	32W	Yes	254 nm	32W	Yes	680(L) x 64(Dia.)
141504	12 GPM	3/4" NPT	120 V, 240 V(50 / 60 Hz)	40W	Yes	254 nm	40W	Yes	900(L) x 64(Dia.)
141505	24 GPM	1" NPT	120 V, 240 V(50 / 60 Hz)	40Wx2	Yes	254 nm	40W	Yes	900(L) x 100(Dia.)
141506	48 GPM	1 1/2" NPT	120 V, 240 V(50 / 60 Hz)	40Wx4	Yes	254 nm	40W	Yes	900(L) x 250(Dia.)

# FILTER CARTRIDGE

## :: SEDIMENT FILTER

### Polypropylene Fiber Type Cartridges - remove: sand, rust & suspension solids



Part Number	Dimensions	Filtration	Capacity	Max. Working Temperature	Longevity*		Pressure Drop
	inch	µm	l / min	°C	liters	month	bar
03001	9 7/8 x 2 1/2	5	20	2 - 45(35.6°F - 113°F)	12000 (3170.1 gallons)	3 - 6	0.2 - 0.4
03002	9 7/8 x 2 1/2	1	20	2 - 45(35.6°F - 113°F)	12000 (3170.1 gallons)	3 - 6	0.2 - 0.4
03003	9 7/8 x 2 1/2	5	40	2 - 45(35.6°F - 113°F)	24000 (6340.1 gallons)	3 - 6	0.3 - 0.5
03004	20 x 2 1/2	5	30	2 - 45(35.6°F - 113°F)	16000 (4226.8 gallons)	3 - 6	0.2 - 0.4
03005	20 x 2 1/2	20	30	2 - 45(35.6°F - 113°F)	16000 (4226.8 gallons)	3 - 6	0.2 - 0.4
03006	20 x 4 1/2	5	60	2 - 45(35.6°F - 113°F)	24000 (6340.1 gallons)	3 - 6	0.3 - 0.5
03007	4 7/8 x 2 1/2	5	10	2 - 45(35.6°F - 113°F)	8000 (2113.4 gallons)	3 - 6	0.1 - 0.3
03008	30 x 2 1/2	5	60	2 - 45(35.6°F - 113°F)	36000 (9510.2 gallons)	3 - 6	0.2 - 0.4

### Polypropylene String Type Cartridges - remove: sand, rust & suspension solids



Part Number	Dimensions	Filtration	Capacity	Max. Working Temperature	Longevity*		Pressure Drop
	inch	µm	l / min	°C	liters	month	bar
03023	9 7/8 x 2 1/2	1	20	2 - 45(35.6°F - 113°F)	12000 (3170.1 gallons)	3 - 6	0.2 - 0.4
03024	9 7/8 x 2 1/2	5	20	2 - 45(35.6°F - 113°F)	12000 (3170.1 gallons)	3 - 7	0.2 - 0.4
03025	9 7/8 x 2 1/2	10	20	2 - 45(35.6°F - 113°F)	12000 (3170.1 gallons)	3 - 8	0.2 - 0.4
03026	9 7/8 x 2 1/2	20	20	2 - 45(35.6°F - 113°F)	12000 (3170.1 gallons)	3 - 9	0.2 - 0.4
03027	9 7/8 x 2 1/2	50	20	2 - 45(35.6°F - 113°F)	12000 (3170.1 gallons)	3 - 10	0.2 - 0.4
03028	9 7/8 x 2 1/2	100	20	2 - 45(35.6°F - 113°F)	12000 (3170.1 gallons)	3 - 11	0.2 - 0.4
03029	9 7/8 x 4 1/2	5	60	2 - 45(35.6°F - 113°F)	18000 (4755.1 gallons)	3 - 12	0.3 - 0.5
03030	9 7/8 x 4 1/2	20	60	2 - 45(35.6°F - 113°F)	18000 (4755.1 gallons)	3 - 13	0.3 - 0.5
03031	20 x 4 1/2	5	60	2 - 45(35.6°F - 113°F)	24000 (6340.1 gallons)	3 - 14	0.3 - 0.5
03032	20 x 4 1/2	20	60	2 - 45(35.6°F - 113°F)	24000 (6340.1 gallons)	3 - 15	0.3 - 0.5

### Reusable Polyester Type Cartridges - remove: sand, rust & suspension solids



Part Number	Dimensions	Filtration	Capacity	Max. Working Temperature	Longevity*		Pressure Drop
	inch	µm	l / min	°C	liters	month	bar
03033	9 7/8 x 2 1/2	10	20	2 - 45(35.6°F - 113°F)	10000 (2641.7 gallons)	3 - 6	0.2 - 0.4
03034	9 7/8 x 2 1/2	20	20	2 - 45(35.6°F - 113°F)	10000 (2641.7 gallons)	3 - 7	0.2 - 0.4
03035	20 x 2 1/2	5	20	2 - 45(35.6°F - 113°F)	12000 (3170.1 gallons)	3 - 8	0.2 - 0.4
03036	20 x 2 1/2	20	20	2 - 45(35.6°F - 113°F)	12000 (3170.1 gallons)	3 - 9	0.2 - 0.4
03037	9 7/8 x 4 1/2	5	30	2 - 45(35.6°F - 113°F)	14000 (3698.4 gallons)	3 - 10	0.2 - 0.4
03038	9 7/8 x 4 1/2	20	30	2 - 45(35.6°F - 113°F)	14000 (3698.4 gallons)	3 - 11	0.2 - 0.4
03039	9 7/8 x 4 1/2	30	30	2 - 45(35.6°F - 113°F)	14000 (3698.4 gallons)	3 - 12	0.2 - 0.4
03040	20 x 4 1/2	5	60	2 - 45(35.6°F - 113°F)	20000 (5283.4 gallons)	3 - 13	0.2 - 0.4
03041	20 x 4 1/2	20	60	2 - 45(35.6°F - 113°F)	20000 (5283.4 gallons)	3 - 14	0.2 - 0.4

※ Cartridge longevity and performance depend on water usage and level of contamination.

# FILTER CARTRIDGE

## :: IN-LINE FILTER

### PF5 5 Micron Sediment Filter



Part Number	Dimensions	Female Type Thread	Capacity	Max. Working Temperature	Longevity*
	mm	inch	l / h	°C	liters
04027	254 x 52	1/4	283 / 24	2 - 45(35.6°F - 113°F)	5813 (1500 gallons)

### Post Carbon Filter



Part Number	Dimensions	Female Type Thread	Capacity	Max. Working Temperature	Longevity*
	mm	inch	l / h	°C	liters
04007	254 x 52	1/4	283 / 24	2 - 45(35.6°F - 113°F)	5678 (1500 gallons)

### KF5633 Sediment Filter



Part Number	Dimensions	Female Type Thread	Capacity	Max. Working Temperature	Longevity*
	mm	inch	l / h	°C	liters
KF5633PP	280 x 65	1/4	283 / 24	2 - 45(35.6°F - 113°F)	5678 (1500 gallons)

### KF5633 Granular Activated Carbon Filter



Part Number	Dimensions	Female Type Thread	Capacity	Max. Working Temperature	Longevity*
	mm	inch	l / h	°C	liters
KF5633GAC	280 x 65	1/4	283 / 24	2 - 45(35.6°F - 113°F)	5678 (1500 gallons)

### Infra-Red Filter



Part Number	Dimensions	Female Type Thread	Capacity	Max. Working Temperature	Longevity*
	mm	inch	l / h	°C	liters
04031	254 x 52	1/4	250 / 24	2 - 45(35.6°F - 113°F)	5678 (1500 gallons)

### Mineral Filter



Part Number	Dimensions	Female Type Thread	Capacity	Max. Working Temperature	Longevity*
	mm	inch	l / h	°C	liters
04032	254 x 52	1/4	283 / 24	2 - 45(35.6°F - 113°F)	5678 (1500 gallons)

### Alkaline (PH) Filter



Part Number	Dimensions	Female Type Thread	Capacity	Max. Working Temperature	Longevity*
	mm	inch	l / h	°C	liters
04033	254 x 52	1/4	250 / 24	2 - 45(35.6°F - 113°F)	2839 (750 gallons)

### Deionization (DI) Filter



Part Number	Dimensions	Female Type Thread	Capacity	Max. Working Temperature	Longevity*
	mm	inch	l / h	°C	liters
03300	285 x 60	1/4	200 / 24	2 - 45(35.6°F - 113°F)	1893 (500 gallons)

※ Cartridge longevity and performance depend on water usage and level of contamination.

# PUREPRO

## Your Complete Filter Cartridges Provider !

PurePro Offers a complete line of best-in-class water treatment components, including membrane elements, membrane housings, filter cartridges, filter housings, pressure gauges, flow meters and more.



## FILTER CARTRIDGE

### :: UDF - GRANULAR ACTIVATED CARBON

**Activated Carbon with UDF Type Cartridges - remove: bacteria, viruses, hydrogen sulphide, chlorine, lead, arsenic, cadmium, as well as lower iron concentration in water**



Part Number	Dimensions	Capacity l / min	Max. Working Temperature °C	Longevity*		Pressure Drop bar
	inch			liters	month	
04007	UDF-5 5" x 2.5"	6	2 - 45 (35.6°F - 113°F)	3600 (951 gallons)	3 - 6	0.2 - 0.4
04008	UDF-10 10" x 2.5"	6	2 - 45 (35.6°F - 113°F)	7200 (1902 gallons)	3 - 6	0.3 - 0.5
04008-B	UDF-10 10" x 4.5"	12	2 - 45 (35.6°F - 113°F)	14600 (3856.9 gallons)	3 - 6	0.3 - 0.5
04009	UDF-20 20" x 2.5"	12	2 - 45 (35.6°F - 113°F)	10800 (2853.1 gallons)	3 - 6	0.3 - 0.5
04009-B	UDF-20 20" x 4.5"	18	2 - 45 (35.6°F - 113°F)	21600 (5706.1 gallons)	3 - 6	0.3 - 0.5

### :: CARBON BLOCK FILTER

**Carbon Block Type Cartridges - remove: organic compounds, chlorine, improve taste and aroma of water**



Part Number	Dimensions	Capacity l / min	Max. Working Temperature °C	Longevity*		Pressure Drop bar
	inch			liters	month	
04010	CTO-10 10" x 2.5"	6	2 - 45 (35.6°F - 113°F)	8000 (2113.4 gallons)	3 - 6	0.2 - 0.4
04011	CTO-20 20" x 2.5"	12	2 - 45 (35.6°F - 113°F)	12000 (3170.1 gallons)	3 - 6	0.2 - 0.4
04012	CTO-10 10" x 4.5"	20	2 - 45 (35.6°F - 113°F)	16000 (4226.8 gallons)	3 - 6	0.2 - 0.3
04013	CTO-20 20" x 4.5"	30	2 - 45 (35.6°F - 113°F)	24000 (6340.1 gallons)	3 - 6	0.2 - 0.3

### :: REFILLABLE CARTRIDGE FILTER

**Dissolved Iron Removal Type Cartridges - eliminate: metallic taste & aroma of water**



Part Number	Dimensions	Capacity l / min	Max. Working Temperature °C	Longevity*		Pressure Drop bar
	inch			liters	month	
04014	10" x 2.5" (Empty)	-	-	-	-	-
04015	10" x 4.5" (Empty)	-	-	-	-	-
04016	20" x 2.5" (Carbon inside)	5	2 - 45 (35.6°F - 113°F)	3000 (792.6 gallons)	3 - 6	0.2 - 0.4
04019	10" x 4.5" (Carbon inside)	12	2 - 45 (35.6°F - 113°F)	4000 (1056.7 gallons)	3 - 6	0.3 - 0.5
04020	20" x 4.5" (Carbon inside)	18	2 - 45 (35.6°F - 113°F)	8000 (2113.4 gallons)	3 - 6	0.3 - 0.5

※ Cartridge longevity and performance depend on water usage and level of contamination.



# RO COMPONENTS

## :: FITTING CONNECTOR

### JACO Fitting



Part Number	06001 / JACO-1042
Description	Male Connector 1/4" x 1/8"
Part Number	06002 / JACO-1044
Description	Male Connector 1/4" x 1/4"
Part Number	06003 / JACO-1046
Description	Male Connector 1/4" x 3/8"
Part Number	06005 / JACO-1064
Description	Male Connector 3/8" x 1/4"
Part Number	06006 / JACO-1066
Description	Male Connector 3/8" x 3/8"

### JACO Fitting



Part Number	06030 / JACO-6042
Description	Male Branch Tee 1/4" x 1/8"
Part Number	06031 / JACO-6044
Description	Male Branch Tee 1/4" x 1/4"
Part Number	06032 / JACO-6046
Description	Male Branch Tee 1/4" x 3/8"
Part Number	06033 / JACO-6066
Description	Male Branch Tee 3/8" x 3/8"

### JACO Fitting



Part Number	06010 / JACO-1544
Description	Union & Reducing Union 1/4"
Part Number	06011 / JACO-1564
Description	Union & Reducing Union 1/4"
Part Number	06012 / JACO-1566
Description	Union & Reducing Union 3/8"

### JACO Fitting



Part Number	06036 / JACO-7044
Description	Union Tee 1/4"
Part Number	06037 / JACO-7066
Description	Union Tee 3/8"

### JACO Fitting



Part Number	06020 / JACO-4042
Description	Male Elbow 1/4" x 1/8"
Part Number	06021 / JACO-4044
Description	Male Elbow 1/4" x 1/4"
Part Number	06022 / JACO-4046
Description	Male Elbow 1/4" x 3/8"
Part Number	06023 / JACO-4064
Description	Male Elbow 3/8" x 1/4"
Part Number	06024 / JACO-4066
Description	Male Elbow 3/8" x 3/8"
Part Number	06027 / JACO-4542
Description	Female Elbow 1/4" x 1/8"

### JACO Fitting



Part Number	06038 / JACO-7544
Description	Male Run Tee 1/4" x 1/4"
Part Number	06039 / JACO-7566
Description	Male Run Tee 3/8" x 3/8"

### JACO Fitting Nut



Part Number	06041
Description	Fitting 1/4"
Part Number	06042
Description	Fitting 3/8"

### Check Valve



Part Number	08017 (For Pump-Type)
Description	Stainless Steel
Part Number	08017-1
Description	Stainless Steel
Part Number	08017-1-Q (Quick Fitting)
Description	Stainless Steel

### JACO Fitting Nippon



Part Number	06044
Description	Nipple 1/4"
Part Number	06045
Description	Nipple 3/8"
Part Number	06046
Description	Nipple 1/2"
Part Number	06047
Description	Nipple 3/4"

# RO COMPONENTS

## Quick Fitting Male Connector



Part Number	MC0402
Description	1/4" Tube x 1/8" NPT Thread
Part Number	MC0404
Description	1/4" Tube x 1/4" NPT Thread
Part Number	MC0406
Description	1/4" Tube x 3/8" NPT Thread
Part Number	MC0604
Description	3/8" Tube x 1/4" NPT Thread
Part Number	MC0606
Description	3/8" Tube x 3/8" NPT Thread
Part Number	MC0607
Description	3/8" Tube x 1/2" NPT Thread

## Quick Fitting Union Connector



Part Number	UC0404
Description	1/4" Tube x 1/4" Tube
Part Number	UC0604
Description	3/8" Tube x 1/4" Tub
Part Number	UC0606
Description	3/8" Tube x 3/8" Tub

## Quick Fitting Femal



Part Number	FA04-716
Description	1/4" Tube x 7/16" Femal .17.5mm
Part Number	FA06-716
Description	3/8" Tube x 7/16" Femal .17.5mm
Part Number	FA0404
Description	1/4" Tube x 1/4" Femal .20.5mm

## Quick Fitting Male Elbow



Part Number	ME0402
Description	1/4" Tube x 1/8" NPT Thread
Part Number	ME0404
Description	1/4" Tube x 1/4" NPT Thread
Part Number	ME0406
Description	1/4" Tube x 3/8" NPT Thread
Part Number	ME0604
Description	3/8" Tube x 1/4" NPT Thread
Part Number	ME0606
Description	3/8" Tube x 3/8" NPT Thread

## Quick Fitting



Part Number	BU0404
Description	Male Connector 1/4" x 1/4"
Part Number	BU0406
Description	Male Connector 1/4" x 3/8"
Part Number	BU0606
Description	Male Connector 3/8" x 3/8"

## Quick Fitting Union Elbow



Part Number	UE0404
Description	1/4" Tube x 1/4" Tube
Part Number	UE0604
Description	3/8" Tube x 1/4" Tub
Part Number	UE0606
Description	3/8" Tube x 3/8" Tub

## Quick Fitting Union



Part Number	UT0404
Description	1/4" Tube x 1/4" Tube x 1/4" Tube
Part Number	UT0604
Description	1/4" Tube x 1/4" Tube x 3/8" Tube
Part Number	UT0606
Description	3/8" Tube x 3/8" Tube x 3/8" Tube

## Quick Fitting Connector



Part Number	TWD0404
Description	1/4" In x 1/4" Out x 1/4" Out

## Quick Fitting Male Run Tee



Part Number	MRT0404
Description	1/4" Tube x 1/4" NPT Thread x 1/4" Tube

## Quick Fitting Male Branch Tee



Part Number	MBT0404
Description	1/4" Tube x 1/4" Tube x 1/4" NPT Thread
Part Number	MBT0606
Description	3/8" Tube x 3/8" Tube x 3/8" NPT Thread

## RO COMPONENTS

### :: BALL VALVE, TANK VALVE

#### Tank Ball Valve Elbow



Part Number	08001
Description	1/4" x 1/4" Elbow JACO Connector

#### Ball Valve - Union Quick Connector



Part Number	08001-4
Description	1/4" x 1/4" Quick Connector
Part Number	08001-4-1
Description	3/8" x 3/8" Quick Connector

#### Ball Valve - Elbow Quick Connector



Part Number	08001-5
Description	1/4" x 1/4" Elbow Quick Connector
Part Number	08001-6
Description	1/4" x 3/8" Elbow Quick Connector

#### Ball Valve - Femal Connector



Part Number	08003
Description	1/4" x 1/4" Straight Female Connector

#### Ball Valve



Part Number	08004
Description	1/4" x 1/4" Straight Connector

### :: MOUNTING CLIP

#### Single Clip



Part Number	08005
Description	2" Inline Filter Clip (Small)

#### Single Clip



Part Number	08006
Description	2 1/2" Membrane Clip (Big)

#### Double Clip



Part Number	08007
Description	2 1/2" x 2" ( Membrane / Inline Filter)

#### Double Clip



Part Number	08008
Description	2 1/2" x 2 1/2" Double Clips (Big)

#### Double Clip



Part Number	08008-1
Description	2" X 2" Double Clip (Small)

#### Drain Water Connector A



Part Number	08027
-------------	-------

#### Drain Water Connector B



Part Number	08028
-------------	-------

# RO COMPONENTS

## :: HOUSING WRENCH

### Housing Wrench Full Circle 10"



Part Number	08032
-------------	-------

### Housing Wrench Double Side



Part Number	08032-A
-------------	---------

### Housing Wrench 20"



Part Number	08033
-------------	-------

### Housing Wrench For Big Blue 10", 20"



Part Number	08034
-------------	-------

## :: PRESSURE SWITCH

### High Pressure Switch



Part Number	08009
Description	Tank Shut-Off Switch
Part Number	08009-Q (Quick Fitting)
Description	Tank Shut-Off Switch

### Low Pressure Switch



Part Number	08010
Description	Low Pressure Switch
Part Number	08010-Q (Quick Fitting)
Description	Low Pressure Switch

## :: AUTO SHUT-OFF VALVE

### Auto Shut-Off Valve (JACO)



Part Number	08015
Description	4 x 1/4" Tube

### Auto Shut-Off Valve (Quick Fitting Connector)



Part Number	08016
Description	4 x 1/4" Tube

## :: FLOW RESTRICTOR

### Flow Restrictor (JACO Type)



Part Number	08021
Description	Flow Restrictor 300ML

### Flow Restrictor (Quick Fitting Connector)



Part Number	08022
Description	Flow Restrictor 300ML

### Mini Flow Restrictor (EC-Series)



Part Number	08023
Description	Flow Restrictor 300ML

### Flow Restrictor (With Manual Flushing Valve)



Part Number	08024
-------------	-------

## RO COMPONENTS

### :: SOLENOID VALVE

#### Solenoid Valve (Round Type)



Part Number	08057
Description	Solenoid Valve 1/4"

#### Solenoid Valve (Square Type)



Part Number	08058
Description	Solenoid Valve 1/4"
Part Number	08058-1
Description	Solenoid Valve 3/8"
Part Number	08059
Description	Solenoid Valve 1/2"

### :: SELF PIERCING VALVE

#### Self Piercing Valve



Part Number	08039
Description	Self Piercing Valve 1/4"

#### Self Piercing Valve



Part Number	08039-1
Description	Self Piercing Valve 1/4"

### :: PRESSURE REDUCER VALVE

#### Pressure Reducer Valve



Part Number	08080
Description	Self Piercing Valve 1/4"
Pressure	40 PSI / 70 PSI

### :: LEAKAGE DETECTOR

#### Leakage Detector



Part Number	08083
Description	Self Piercing Valve 1/4"

### :: FEED WATER CONNECTOR

#### Feed Water Connector



Part Number	08035
Description	Feed Water Connector 1/2"

#### Feed Water Connector



Part Number	08036
Description	Feed Water Connector 3/8"

#### Feed Water Connector



Part Number	08037
Description	Feed Water Connector 1/2"

#### Feed Water Connector



Part Number	08038
Description	Feed Water Connector 3/4"

#### 1/2" Feed Water Connector



Part Number	08052
Description	Garden Hose Adapter 1/4" Tube

#### 1/2" Feed Water Connector



Part Number	08053
Description	Garden Hose Adapter 3/8" Tube

# RO COMPONENTS

## Feed Water Connector Kit



Part Number 08042

## Feed Water Connector Kit



Part Number 08043

## Feed Water Connector Kit



Part Number 08044

## Feed Water Connector Kit



Part Number 08045

## Feed Water Connector Kit



Part Number 08046

## Feed Water Connector Kit



Part Number 08047

## Countertop Parts Drinking Faucet



Part Number 08048

## :: DELIVER VALVE

### Deliver Valve



Part Number 08040  
Description Deliver Valve 1/4" Tube

### Deliver Valve



Part Number 08041  
Description Deliver Valve 3/8" Tube

## :: MICRO COMPUTER CONTROLLER

### 103 Box Micro Processor



Part Number 08054  
※ Available in 110~120V or 220~240V

### 103TDS Box Micro Processor



Part Number 08055  
※ Available in 110~120V or 220~240V

### RO1500~RO6000 Box Micro Processor



Part Number 08055-1  
※ Available in 110~120V or 220~240V

### 105TDS Box Light Indicator



Part Number 08056

# RO COMPONENTS

## :: BOOSTER PUMP

### PurePro Booster Pump



Part Number	10011
Voltage	DC 24 V
Pressure	70~100 PSI
Inlet "0"	By Pass 80 PSI
Power	100 GPD
Ports	3/8" 18 NPT

## :: BRACKET

### RO Bracket (Steel Made)



Part Number	12001
-------------	-------

### Pump Bracket (Steel Made)



Part Number	12002
-------------	-------

### RO Bracket (Aluminum Made)



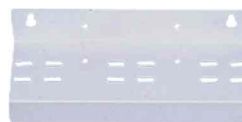
Part Number	12003
-------------	-------

### Pump Bracket (Aluminum Made)



Part Number	12004
-------------	-------

### Bracket For 3 x Filter Housing



Part Number	12005
-------------	-------

### Faucet Bracket For Faucets (plastic)



Part Number	12006
-------------	-------

## Pump Transformer CE Approved



Part Number	10001
Voltage	DC 24 V

※ Available in 110~120V or 220~240V

## High Flow Booster Pump With Transformer



Part Number	10005
Voltage	DC 24 V
Pressure	70~100 PSI
Inlet "0"	By Pass 110 PSI
Power	300 GPD
Ports	3/8" 18 NPT

## Super Pump



Part Number	10007
Dimensions	280L x 120H x 120W (mm)
Water Inlet	1/4"
Fitting Type	Quick Fitting
Voltage	DC 24 V
Pressure	45 PSI

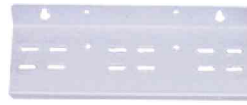
# RO COMPONENTS

## Faucet Bracket For Faucets (Steel)



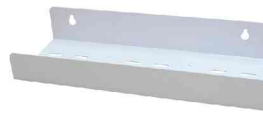
Part Number	12007
-------------	-------

## Three Housing Bracket For 3 Filter Housings



Part Number	12012
-------------	-------

## EC Housing Bracket For 3 Filter Housings



Part Number	12013
-------------	-------

## Single Housing Bracket For 10" Filter Housing



Part Number	12008
-------------	-------

## Bracket For WF-20 (Big Blue)



Part Number	12014
-------------	-------

## Single Housing Bracket For 20" Filter Housing



Part Number	12009
-------------	-------

## Bracket For RO600 Unit



Part Number	12015
-------------	-------

## Housing Bracket For 10" Big Blue Filter Housing



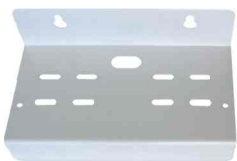
Part Number	12010
-------------	-------

## Bracket For RO800 Unit



Part Number	12016
-------------	-------

## Twin Housing Bracket For 2 Filter Housings



Part Number	12011
-------------	-------



# RO COMPONENTS

## :: WATER STORAGE TANK

### RO-132 Metal Water Storage Tank



Part Number	02001
Dimensions (mm)	280(Dia.) x 350(H)
Tank Capacity	3.2 Gallons
Connector	1/4" NPT

### RO-2000 Metal Water Storage Tank



Part Number	02006
Dimensions (mm)	390(Dia.) x 770(H)
Tank Capacity	20 Gallons
Connector	1" BSP

### RO-152 Metal Water Storage Tank



Part Number	02002
Dimensions (mm)	290(Dia.) x 408(H)
Tank Capacity	5.5 Gallons
Connector	1/4" NPT

### TP-100 Metal Water Storage Tank



Part Number	02007
Dimensions (mm)	390(Dia.) x 965(H)
Tank Capacity	28 Gallons
Connector	1" BSP

### RO-122 Metal Water Storage Tank



Part Number	02003
Dimensions (mm)	200(Dia.) x 307(H)
Tank Capacity	2.2 Gallons
Connector	1/4" NPT

### RO-1070 Metal Water Storage Tank



Part Number	02005
Dimensions (mm)	390(Dia.) x 575(H)
Tank Capacity	14 Gallons
Connector	3/8" NPT

### TP-19P Plastic Water Storage Tank



Part Number	02009
Dimensions (mm)	280(Dia.) x 401(H)
Tank Capacity	5.0 Gallons
Connector	1/4" NPT

### SS-180 Stainless Steel Tank



Part Number	02008
Dimensions (mm)	279(Dia.) x 350(H)
Tank Capacity	4.4 Gallons
Connector	1/4" NPT

### PRO4000W Plastic Water Storage Tank



Part Number	02010
Dimensions (mm)	280(Dia.) x 355(H)
Tank Capacity	4.0 Gallons
Connector	1/4" NPT

# RO COMPONENTS

## :: FAUCET



101



102



103



106

### Specification

Part Number	Description	Color	Tube	No. / Case
101	Long reach faucet with a ceramic disc valve	Chrome	1/4"	40 PCS
102	Long reach faucet with a ceramic disc valve	Gold	1/4"	40 PCS
103	Long reach faucet with a ceramic disc valve	Antique Brass	1/4"	40 PCS
106	Long reach faucet with a ceramic valve	Champagne	1/4"	40 PCS



108



113



114



115

### Specification

Part Number	Description	Color	Tube	No. / Case
108	Press type faucet	Chrome	1/4"	50 PCS
113	Long reach faucet with a ceramic disc valve	Chrome	1/4"	40 PCS
114	Duck type / Long reach faucet with a ceramic disc valve	Chrome	1/4"	50 PCS
115	Long reach faucet with a ceramic disc valve	Chrome	1/4"	40 PCS



## **EUROPEAN DESIGN FAUCET**

### **PUREPRO REVERSE OSMOSIS FAUCET #101**

- Made of High Quality Material
- Professional Workmanship
- Ceramic Designer and Traditional Models Available



PurePro Reverse Osmosis

## RO COMPONENTS



### Specification

Part Number	Description	Color	Tube	No. / Case
181	Euro-Luxury Faucet (Lead free. NSF)	Chrome plated	1/4"	30 PCS
182	Euro-Luxury Faucet (Lead free. NSF)	Antique brass	1/4"	30 PCS
183	Euro-Luxury Faucet (Lead free. NSF)	Antique wine	1/4"	30 PCS
184	Euro-Luxury Faucet (Lead free. NSF)	Brushed nickel	1/4"	30 PCS
185	Euro-Luxury Faucet (Lead free. NSF)	Bright Golden	1/4"	30 PCS



### Specification

Part Number	Description	Color	Tube	No. / Case
207	New design hot cold ro-water Three in one	Chrome	1/4"	8 PCS
208	New design hot cold ro-water Three in one	Chrome	1/4"	8 PCS
211	New design hot cold ro-water Three in one	Chrome	1/4"	8 PCS
212	New design hot cold ro-water Three in one	Chrome	1/4"	8 PCS

※ You don't need to drill the hole for RO faucet, just replace the old one.



# **KITCHEN & DRINKING FAUCET**

**HOT COLD RO-WATER / THREE IN ONE #208**  
You don't need to drill the hole for RO faucet,  
just replace the old one.



PurePro Reverse Osmosis

# MEMBRANE HOUSING & MEMBRANE

## :: RO MEMBRANE



### Specification

Part Number	Description	Maximum Operating Pressure	Max. Working Temperature
05001	TW30-1812-50 50 GPD	60 PSI	2°C - 45°C (35.6°F - 113°F)
05002	TW30-1812-80 80 GPD	60 PSI	2°C - 45°C (35.6°F - 113°F)
05003	TW30-1812-100 100 GPD	60 PSI	2°C - 45°C (35.6°F - 113°F)
05005	TW30-1812-200 200 GPD	100 PSI	2°C - 45°C (35.6°F - 113°F)
05006	TW30-2521 250 GPD	225 PSI	2°C - 45°C (35.6°F - 113°F)
05007	TW-4021 800 GPD	150 PSI	2°C - 45°C (35.6°F - 113°F)
05008	TW-4040 2200 GPD	150 PSI	2°C - 45°C (35.6°F - 113°F)
05009	BW-4040 2200 GPD	150 PSI	2°C - 45°C (35.6°F - 113°F)

## :: MEMBRANE HOUSING

### Membrane Housing White Color 1812



Part Number	11031
Female Type Thread	1/8" NPT
Max. Burst	500 PSI
Cycle Test	0-150 PSI, 100,000 Times
Max. Operating	125 PSI
Max. Temperature	2°C - 45°C (35.6°F - 113°F)

### Stainless Steel Pressure Vessel Membrane Housing



Part Number	4021-12
	4040-12
	4040-34
	2521-38
	2540-38
Inlet / Outlet	1/2", 1/2" NPT
	1/2", 1/2" NPT
	3/4", 1/2" NPT
	3/8", 1/4" NPT
	3/8", 1/4" NPT
End cap	PA66+30% GF (plastic) /SS
Housing	304 SS / 316 SS
O-ring	EPDM
Clip	304 SS

# PUREPRO Membranes

PUREPRO reverse osmosis membrane elements for home drinking water are the industry's most reliable. Advanced membrane technology and automated fabrication allow these elements to deliver consistent performance that equipment suppliers, water treatment dealers and residential customers can rely on. A thin film composite (TFC) high quality membrane that processes 50 gallons per day. It remove the following hard water contaminants that may be present in your water: lead, cooper, barium, chromium, mercury, sodium, cadmium, fluoride, nitrite, nitrate, and selenium.

PUREPRO home drinking water elements are rated at 50 psi and will purify about 20% more water than competitive elements rated at 60 psi (please see reference charts on back for more information).





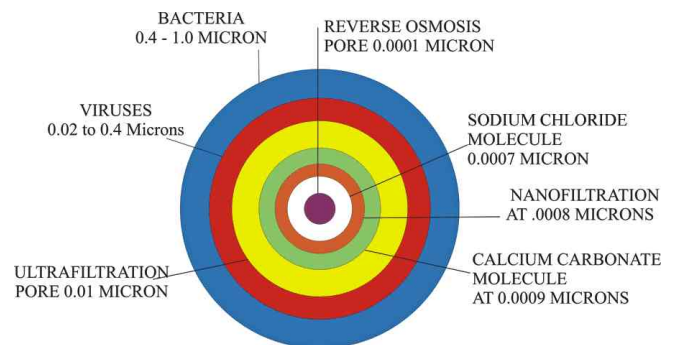
## PUREPRO Nanofiltration (NF) Membranes

### What is Nanofiltration (NF) membranes ?

Nanofiltration membrane has a slightly larger pore size than reverse osmosis membrane. Thus monovalent salts like sodium chloride (common table salt) molecules passes through the membrane but large divalent salts of Calcium, Magnesium and other metals like iron, heavy metals, etc. are all blocked.

#### Reverse Osmosis Pore Size vs Nanofiltration Pore Size

The RO pore size diagram below will help in understanding the relative pore sizes of Membranes and the sizes of the common impurities.



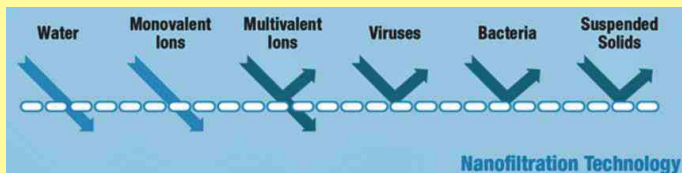
PORE SIZE COMPARED WITH MOLECULES, BACTERIA AND VIRUS APPROXIMATE VALUES AND FIGURE IS NOT TO SCALE

The pore size of RO membrane is 0.0001 microns which is smaller than the size of the Sodium Chloride Molecule which is 0.0007 micron and will not let it through. Nor will it let through germs and viruses, and organic molecules which are very much larger than the RO pore.

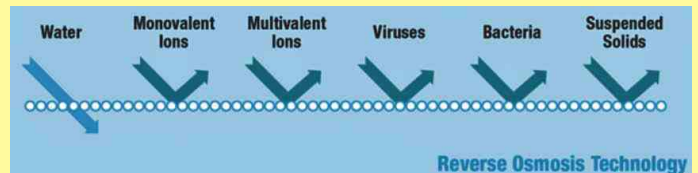
So an RO membrane will purify water from almost all chemicals. What can pass through the RO membrane is water and molecules smaller than the water molecule, like CO<sub>2</sub> gas. Smaller molecules than water is generally not harmful to health. The RO Water is very pure. Bottled water manufacturers usually use reverse osmosis water filters to purify their water.

The Nanofiltration pore size at 0.0008 microns, is only slightly larger than the RO pore (0.0001 microns) and also only very slightly larger than the size of the common salt (NaCl) molecule. So it allows monovalent common salt Sodium Chloride to pass through but will not allow divalent Calcium salts like Calcium Carbonate of dia 0.0009 microns to pass through. Nanofiltration and Reverse Osmosis RO membranes remove Mercury, Lead, Heavy Metals, Arsenic, all germs and viruses from water and makes Hard Water Soft.

The diagrams below from PurePro Membranes helps us to better understand the concept of Nanofiltration and Reverse Osmosis.



**Nanofiltration Membrane allows only pure water, monovalent salts and lower molecular weight divalent salts to pass through.**



**RO membrane only allows pure water to pass through it. Everything else like monovalent and multivalent salts, bacteria and viruses, dirt, etc. are completely blocked.**

PurePro RO systems (with NF membrane) are designed for the people who still want to keep the mineral element inside the water. It is also the premier pre-filtration system available for water ionizers today. The size of the pores on the NF membrane are 0.0008 microns allowing it to remove bacteria, viruses, heavy metals, viral contaminants, and other dangerous elements while still allowing valuable minerals through for the water ionizer to ionize, and your body to absorb.



A M E R I C A S E R I E S



QUALITY  
WATER  
FOR  
QUALITY  
LIFE



**PurePro® America Series AS-316UV**

It is suitable for manufacturing, restaurants, coffee shop, food processing industries, shopping centers, dental hospitals, schools and hotels.

PurePro Reverse Osmosis

# FILTER HOUSING

## :: FILTER HOUSING

### 10" Clear Filter Housing



Part Number	11011
Inlet / Outlet	1/4" NPT
Clear Housing	Acrylonitrile Styrene
Housing Head	Polyethylene
Double O-ring	BUNA-N
Max. Pressure	100 PSI
Max. Working Temperature	2°C - 45°C (35.6°F - 113°F)

### 10" Big Blue Filter Housing



Part Number	11022
Thread Size	1", 1 1/2" NPT
Blue Housing	Polyethylene
Housing Head	Polyethylene
Double O-ring	BUNA-N
Max. Pressure	100 PSI
Max. Working Temperature	2°C - 45°C (35.6°F - 113°F)

### 10" White Filter Housing



Part Number	11012
Inlet / Outlet	1/4" NPT
White Housing	Polyethylene
Housing Head	Polyethylene
Double O-ring	BUNA-N
Max. Pressure	100 PSI
Max. Working Temperature	2°C - 45°C (35.6°F - 113°F)

### 20" Big Blue Filter Housing



Part Number	11024
Thread Size	1", 1 1/2" NPT
Blue Housing	Polyethylene
Housing Head	Polyethylene
Double O-ring	BUNA-N
Max. Pressure	100 PSI
Max. Working Temperature	2°C - 45°C (35.6°F - 113°F)

### 20" White Filter Housing



Part Number	11026
Thread Size	3/8", 1/2", 3/4" NPT
White Housing	Polyethylene
Housing Head	Polyethylene
Double O-ring	BUNA-N
Max. Pressure	100 PSI
Max. Working Temperature	2°C - 45°C (35.6°F - 113°F)

### 10" Blue Filter Housing



Part Number	11014
Thread Size	3/8", 1/2", 3/4" NPT
Blue Housing	Polyethylene
Housing Head	Polyethylene
Filter O-ring	BUNA-N
Max. Pressure	100 PSI
Max. Working Temperature	2°C - 45°C (35.6°F - 113°F)

### 20" Blue Filter Housing



Part Number	11027
Thread Size	3/8", 1/2", 3/4" NPT
Blue Housing	Polyethylene
Housing Head	Polyethylene
Double O-ring	BUNA-N
Max. Pressure	100 PSI
Max. Working Temperature	2°C - 45°C (35.6°F - 113°F)

### 20" Blue Filter Housing

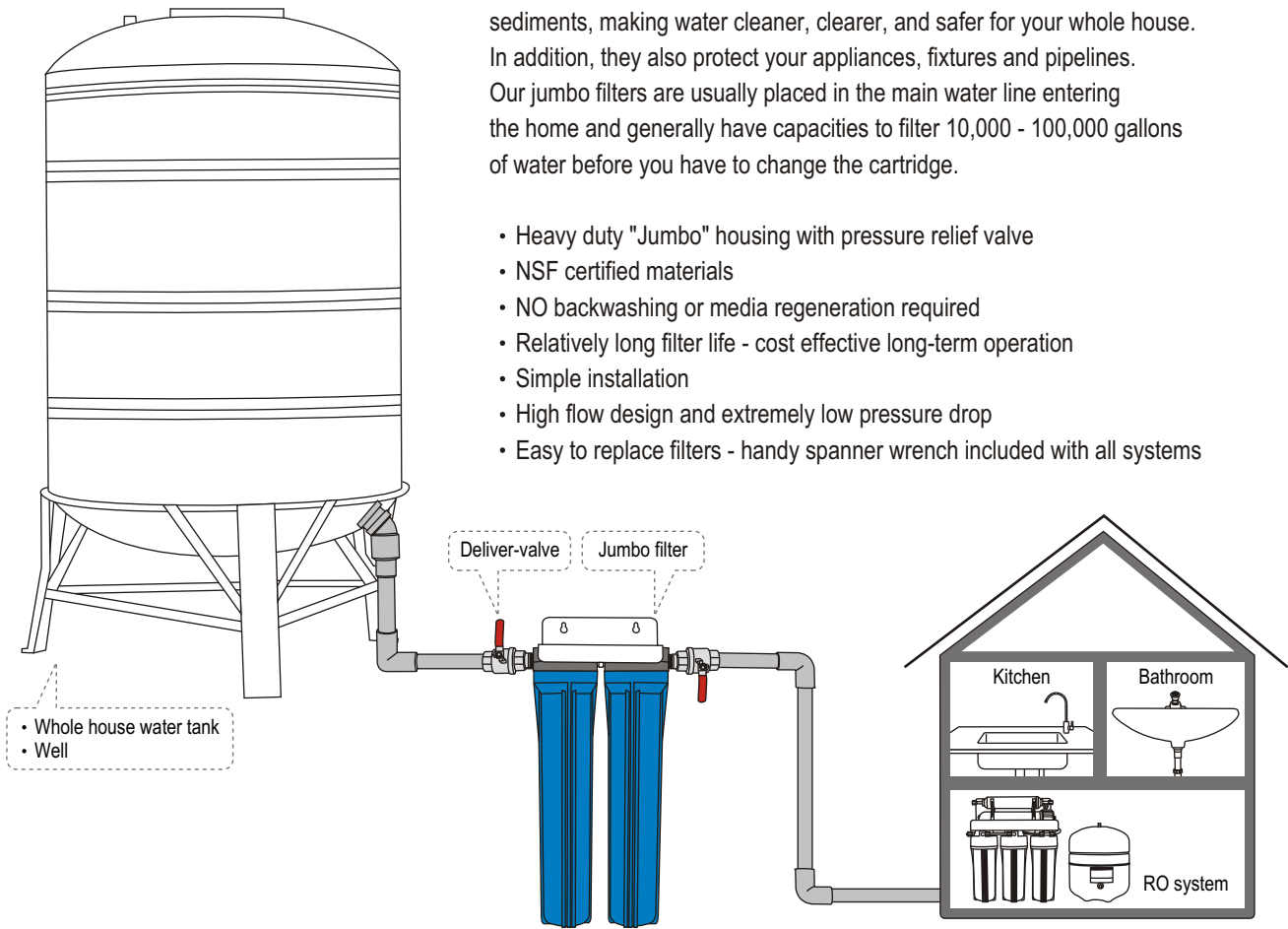


Part Number	11015
Thread Size	3/8", 1/2", 3/4" NPT
Blue Housing	Polyethylene
Housing Head	Polyethylene
Filter O-ring	BUNA-N
Max. Pressure	100 PSI
Max. Working Temperature	2°C - 45°C (35.6°F - 113°F)

# JUMBO FILTER

Jumbo filters remove chlorine and other chemical tastes, odors plus dirt, sediments, making water cleaner, clearer, and safer for your whole house. In addition, they also protect your appliances, fixtures and pipelines. Our jumbo filters are usually placed in the main water line entering the home and generally have capacities to filter 10,000 - 100,000 gallons of water before you have to change the cartridge.

- Heavy duty "Jumbo" housing with pressure relief valve
- NSF certified materials
- NO backwashing or media regeneration required
- Relatively long filter life - cost effective long-term operation
- Simple installation
- High flow design and extremely low pressure drop
- Easy to replace filters - handy spanner wrench included with all systems



BB20-01



BB20-02



BB20-03

## Specification

Part Number	Inlet / Outlet	Bracket	Max. Pressure	Cartridges Dimensions	Max. Working Temperature	Dimension (mm)
BB20-01	1" NPT	Wall Bracket	125 PSI	20" x 4.5"	2°C - 45°C (35.6°F - 113°F)	550(L) x 750(H) x 188(W)
BB20-02	1" NPT	Wall Bracket	125 PSI	20" x 4.5"	2°C - 45°C (35.6°F - 113°F)	352(L) x 750(H) x 188(W)
BB20-03	1" NPT	Wall Bracket	125 PSI	20" x 4.5"	2°C - 45°C (35.6°F - 113°F)	188(L) x 770(H) x 200(W)

# WHOLE HOUSE FILTER

## :: WHOLE HOUSE FILTER

### WF-10 Whole House Filter (BIG BLUE)



Part Number	WF-10
Dimensions (mm)	195(L) x 680(H) x 250(W)
Pressure Release Valve	1" NPT input/output
Bracket	Wall Bracket
Max. Pressure	125 PSI
Max. Working Temperature	2°C - 45°C (35.6°F - 113°F)
Cartridges Dimensions	20" x 4.5"
Cartridges Type	Sediment

※ The system includes a standard set of component parts.

## :: COUNTERTOP WATER FILTER

### 1 Stage Countertop Water Filter



Part Number	01037
Dimensions (mm)	150(L) x 320(H) x 135(W)
Water Inlet	1/4"
Max. Pressure	80 PSI
Max. Working Temperature	2°C - 45°C (35.6°F - 113°F)
Cartridges Dimensions	10" x 2.5"
Cartridges Type	Sediment

※ The system includes a standard set of component parts.

### WF-20 Whole House Filter (BIG BLUE)



Part Number	WF-20
Dimensions (mm)	195(L) x 830(H) x 450(W)
Pressure Release Valve	1" NPT input/output
Bracket	Floor standing Bracket
Max. Pressure	125 PSI
Max. Working Temperature	2°C - 45°C (35.6°F - 113°F)
Cartridges Dimensions	20" x 4.5"
Cartridges Type	Sediment, Carbon

※ The system includes a standard set of component parts.

### 2 Stage Countertop Water Filter



Part Number	01038
Dimensions (mm)	270(L) x 320(H) x 135(W)
Water Inlet	1/4"
Max. Pressure	80 PSI
Max. Working Temperature	2°C - 45°C (35.6°F - 113°F)
Cartridges Dimensions	10" x 2.5"
Cartridges Type	Sediment, Carbon

※ The system includes a standard set of component parts.

### WF-30 Whole House Filter (Slim Line)



Part Number	WF-30
Dimensions (mm)	195(L) x 660(H) x 460(W)
Pressure Release Valve	3/4" NPT input/output
Bracket	Wall Bracket
Max. Pressure	125 PSI
Max. Working Temperature	2°C - 45°C (35.6°F - 113°F)
Cartridges Dimensions	20" x 2.5"
Cartridges Type	Sediment, GAC Filter, Carbon

※ The system includes a standard set of component parts.

### 3 Stage Countertop Water Filter



Part Number	01039
Dimensions (mm)	385(L) x 320(H) x 135(W)
Water Inlet	1/4"
Max. Pressure	80 PSI
Max. Working Temperature	2°C - 45°C (35.6°F - 113°F)
Cartridges Dimensions	10" x 2.5"
Cartridges Type	Sediment, Carbon

※ The system includes a standard set of component parts.

# A better DESIGN A better QUALITY

## **WF-20** **Whole house water filter system**

Heavy duty 2 x 20" Big Blue housing 1"NPT with floor standing bracket.

### Include:

20" x 4.5" Big blue sediment filter  
20" x 4.5" Big blue carbon block filter  
housing wrench

### Features:

- Pressure Release Valve
- Wall Bracket
- Easy Filter Changes
- Compact

### Operating Data:

- Max. Pressure: 125 psi
- Max. Temperature: 120°F (50°C)



# WATER TESTER

## Electronic Color Tester



Part Number	161001
Dimensions (mm)	102(L) x 100(H) x 49(W)
QTY.	60 PCS / BOX

## Pressure Gauge



Part Number	08050
Description	Installed before Membrane

## TDS Meter



Part Number	161002
Dimensions (mm)	150(L) x 23(H) x 29(W)
QTY.	10 PCS / BOX

## Pressure Gauge



Part Number	08051
Description	0-10 Bar

## PurePro TDS Meter



Part Number	161002-1
Dimensions (mm)	150(L) x 16(H) x 27(W)
QTY.	50 PCS / BOX

## Single Liquid pH Test Kit



Part Number	162808
Dimensions (mm)	50(L) x 50(H) x 60(W)
QTY.	50 PCS / BOX

## pH Meter



Part Number	pH600
Dimensions (mm)	150(L) x 20(H) x 28(W)
QTY.	10 PCS / BOX

## Demo Unit



Part Number	11120
Dimensions (mm)	600(L) x 750(H) x 250(W)

※ Portable design easily carries for demonstration.

## Tyre Pressure Gauge



Part Number	162807
Dimensions (mm)	150(L) x 30(H) x 40(W)
QTY.	30 PCS / BOX

**12000GPD** Purification filter  
for laboratory  
and industrial using

# Industrial RO System



### **Pure-Pro Reverse Osmosis (RO) Systems**

Over ten years expertise in reverse osmosis drinking water systems, our unique design features make installation easier and operation more reliable, and our wide selection of colors and sizes allows you to solve virtually any RO application.

PurePro Reverse Osmosis

# *PUREPRO*

DRINKING WATER SYSTEM

## **Pure-Pro Water Corporation**

14F-7, 232 Cheng Kung 1st Rd., Kaohsiung,  
Taiwan

Tel: +886-7-3330597 Fax: +886-7-3306696  
[www.pure-pro.com](http://www.pure-pro.com)

## **PurePro USA Corp.**

9200W 191st Street, Unit 5 Mokena,  
ILL 60448, USA

Tel: 1-708-479-4473 Fax: 1-708-479-4332  
[www.purepro.net](http://www.purepro.net)

## CONTACT

[info@pure-pro.com](mailto:info@pure-pro.com)  
[export@pure-pro.com](mailto:export@pure-pro.com)

© PUREPRO USA CORP., ILLINOIS, U.S.A.  
TOLL FREE No.: 1-800-993-2933

